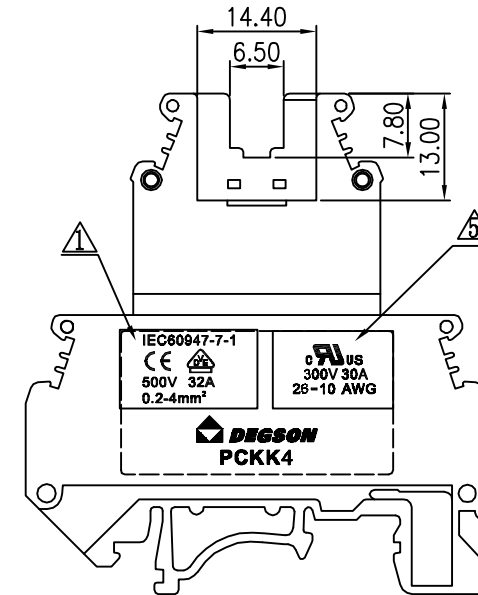
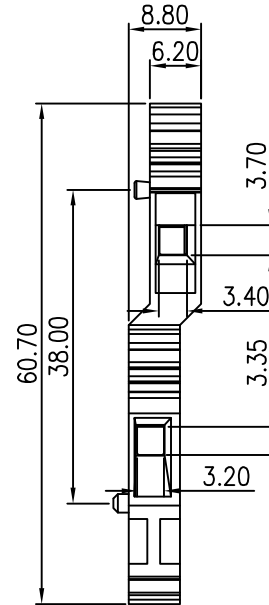
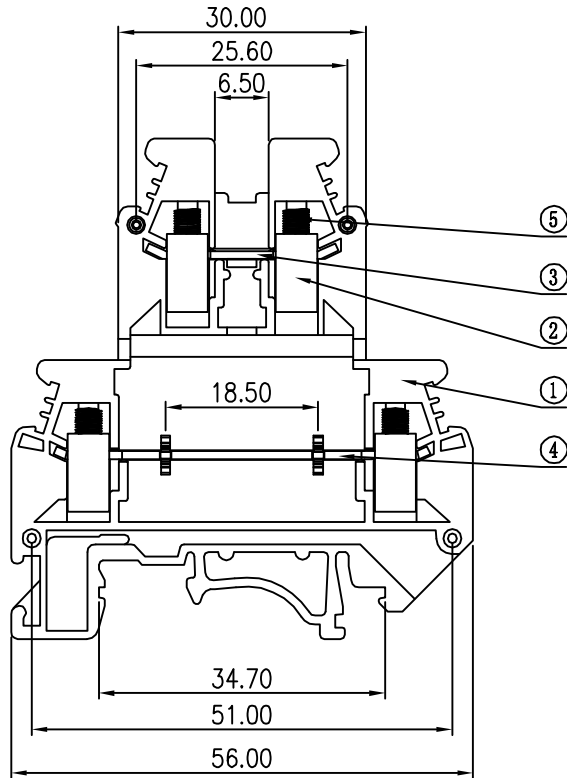
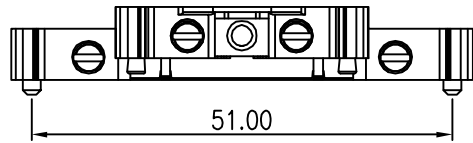


REVISION RECORD				
REV	ECN	DESCRIPTION	DRFT	DATE
△		增加VDE刻字及参数	WLM	07/21/08'
△	09-0073	修改螺丝材质"Steel"为"Brass"	LJH	10/05/09"
△	10-0019	将螺丝由PC2.5B改为TSCB4螺丝	HD	01/26/10"
△	10-0115	更新图面	HD	05/11/10"
△	10-0143	增加UL刻字及参数	COCO	06/11/10"



Notes:

- Rated voltage/current:UL 300V/30A
VDE 500V/32A
- Operation temperatures: -40° C~+105° C
- Withstanding voltage: AC3000V/1Min
- Insulation resistance: 5000MΩ/1000V
- Wire range:26~10AWG, 0.2~4.0mm²
- Torque Max:M3, 5.4kgf. cm
- Undimensioned Tolerances:

Pitch range in mm			Nominal dimension range in mm					
	over 6	over 10	over 30	over 60	over 100	over 150		
to 6	to 10	to 24	to 30	to 60	to 100	to 150	⌒	
±0.10	±0.15	±0.25	±0.2	±0.3	±0.5	±0.7	±1.0	
							0.05/10	

ITEM	NAME OF PART	NO. OF PART	Q'TY	MATERIAL	NOTES
5	TSCB4-Screw △	S000002530 (H)	4	△ Brass	Ni Plate
4	PCKK4-Short Contact	6122B00020 (H)	1	Copper	SnCe Plate
3	PCKK4- Long Contact	6122B00010 (H)	1	Copper	SnCe Plate
2	PCKK4-Brass Cage	X000001840 (H)	4	Brass	Ni Plate
1	PCKK4-00A Housing	6122A0Y01A (H)	1	PA66	UL94V-0

ITEM	NAME OF PART	NO. OF PART	Q'TY	MATERIAL	NOTES
DETAILED LISTS		DFTO LINDA		DATE 01/05/'08	
MM (INCH)		CHKD		DATE	
TOLERANCES EXCEPT AS NOTED		MFO		DATE	
MM		APPVL		DATE	
.0 ±					
.00 ±					
.000 ±					
MATERIAL :					
ANGLES ± 1°		G.E :			
THIRD ANGLE PROJECTION		FINISH :			
SCALE : 1:1		DRAWING NO. PCKK4-E01		SIZE A3	REV T5
DO NOT SCALE DRAWING		/PART NO.		06/11/10"	
SHEET 1			OF 1		

DEGSON® 宁波高正电子有限公司
DEGSON ELECTRONICS CO., LTD

NAME PCKK4-01P-1Y-00A (H)