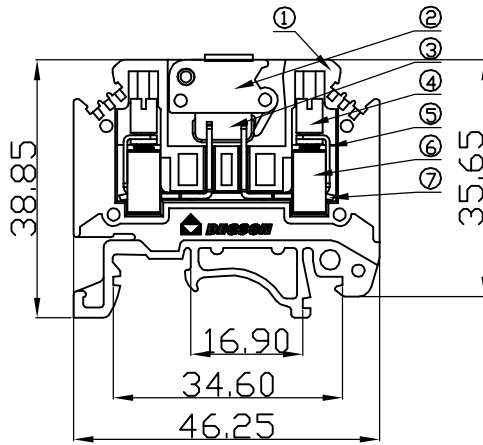
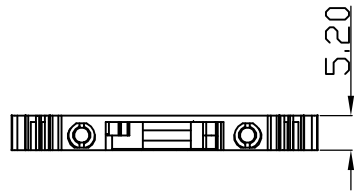
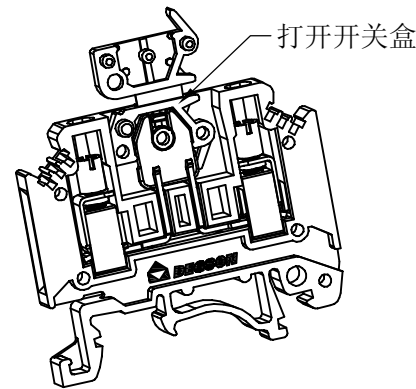
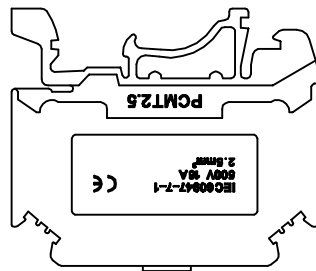


REVISION RECORD				
REV	ECD	DESCRIPTION	DRFT	DATE



Notes:

- Rated voltage/current: UL1059 300V/10A
IEC 500V/16A
- Operation temperatures: -40°C ~ +105°C
- Withstanding Voltage: AC3000V/1Min
- Insulation Resistance: 5000MΩ / DC1000V
- Wire Range: 24~14AWG, 2.5mm²
- Max. Torque Value: M3.0, 5.10Kgf.cm
- Undimensioned Tolerances:

Pitch range in mm		Nominal dimension range in mm					—
to 6	over 6 to 10	over 10 to 24	to 30	over 30 to 60	over 60 to 100	over 100 to 150	∩
±0.10	±0.15	±0.25	±0.2	±0.3	±0.5	±0.7	±1
							0.05/10

7	PCMT2.5-Clamp	6145B00020(H)	2	Phosphor Bronze	Ni Plated
6	PCMT2.5-Brass Cage	X000002070(H)	2	Brass	Ni Plated
5	PCMT2.5-Spring	6145B00010(H)	2	Brass	Ni Plated
4	PCMT2.5 M3"-Screw	S000002990(H)	2	Brass	Ni Plated
3	PCMT4-Kinfe switch	6146B00020(H)	1	Brass	SnCe Plated
2	PCMT4-Kinfe box	6146D1501A(H)	1	PA66	UL94V-0

ITEM	NAME OF PART	NO. OF PART	Q'TY	MATERIAL	NOTES
1	PCMT2.5-Housing	6145A0Y01A(H)	1	PA66	UL94V-0

MM (INCH)	DFTD ZYH	DATE 01/11/08'
TOLERANCES EXCEPT AS NOTED	CHKD	DATE
	MFD	DATE
	APPVL	DATE

DETACHED LISTS		MATERIAL	
MM	±		
.0 ±	±		
.00 ±	±		
.000 ±	±		

ANGLES ± 1°	G.E	DRAWING NO. PCMT2.5-E01	SIZE A4	REV TO 01/12/08'
THIRD ANGLE PROJECTION	FINISH:	/PART NO.		
SCALE :	DO NOT SCALE DRAWING	SHEET 1	OF 1	

NAME		PCMT2.5-01P-1Y-00A(H)	
DEGSON® 宁波高正电子有限公司 DEGSON ELECTRONICS CO., LTD			