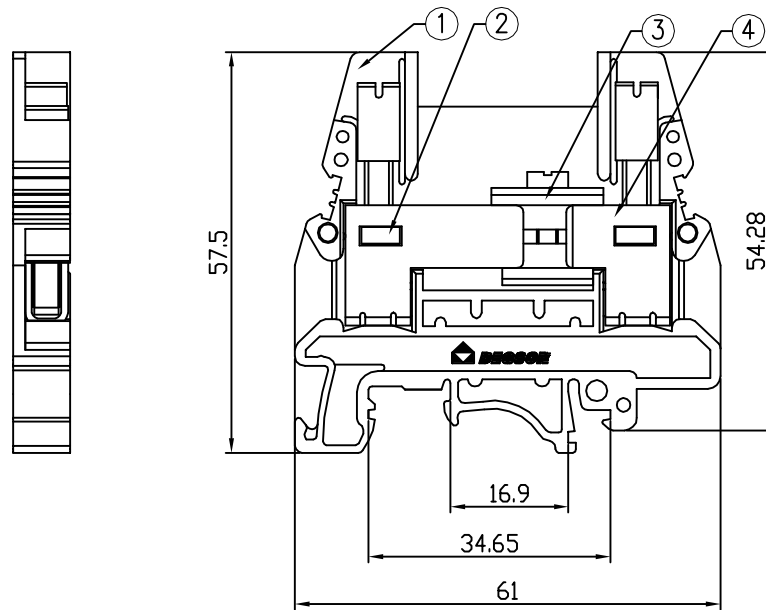
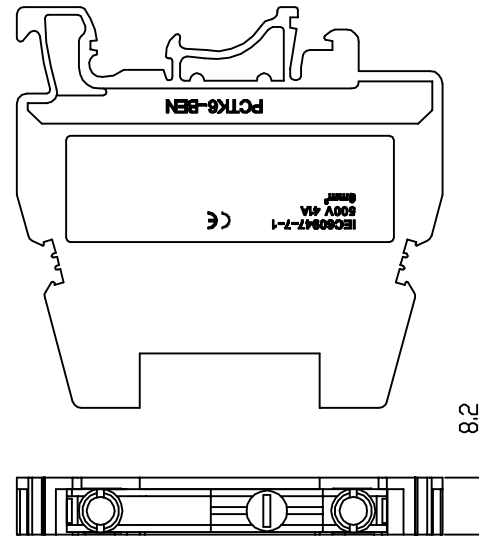


REVISION RECORD				
REV	ECD	DESCRIPTION	DRFT	DATE



Notes:

- Rated voltage/current:UL 300V/40A
IEC 500V/41A
- Operation temperatures:-40°C~+105°C
- Withstanding Voltage:AC3000V/1Min
- Insulation Resistance:5000MΩ/DC1000V
- Wire Range:26~10AWG, 6mm²
- Max. Torque Value:M4. 0, 12. 24Kgf. cm
- Undimensioned Tolerances:

Pitch range in mm			Nominal dimension range in mm					—
to	over	over	to	over	over	over	over	⌒
6	6	10	30	30	60	100	150	▱
6	10	24	30	60	100	150		
±0.10	±0.15	±0.25	±0.2	±0.3	±0.5	±0.7	±1	0.05/10

ITEM	NAME OF PART	NO. OF PART	Q'TY	MATERIAL	NOTES
4	PCTK6-BEN Right Subassembly	6128B00030(H)	1	Brass	Ni Plated
3	PCTK6-BEN Contact Hardware	6128B00020(H)	1	Brass	Ni Plated
2	PCTK6-BEN Left Subassembly	6128B00010(H)	1	Brass	Ni Plated
1	PCTK6-BEN Housing	6128A0Y01A(H)	1	PA66	UL94V-0

DETACHED LISTS	MM (INCH)	DFTD ZYH	DATE 05/13/08'	 宁波高正电子有限公司 DEGSOON ELECTRONICS CO., LTD
	TOLERANCES EXCEPT AS NOTED	CHKD	DATE	
		MFD	DATE	
		APPVL	DATE	
		MATERIAL :		
	ANGLES ± 1°	G.E :		NAME PCTK6-BEN-01P-1Y-00A(H)
	THIRD ANGLE PROJECTION	FINISH:		DRAWING NO. PCTK6-BEN-E01
		SCALE : 1:1		SIZE A4
				REV TO 05/13/08'
				DO NOT SCALE DRAWING
				SHEET 1 OF 1