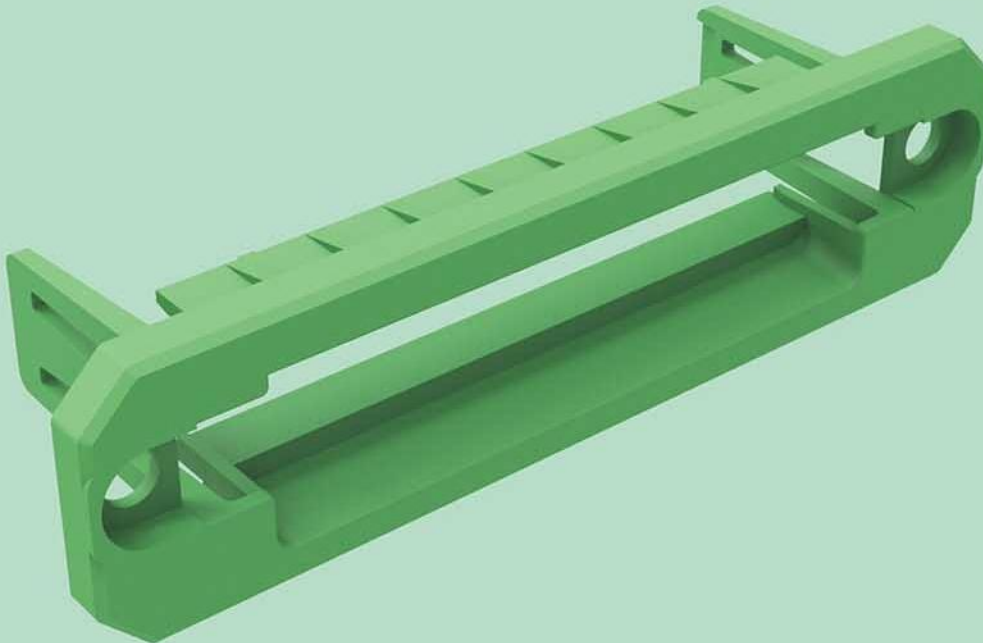
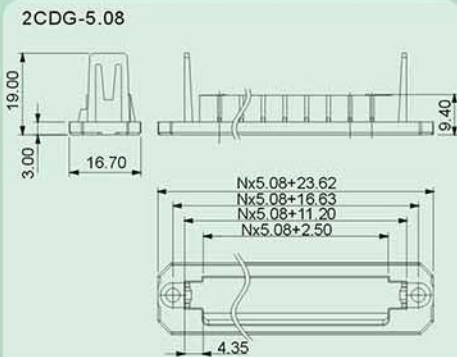


## 2CDG-5.08



- 自由定位穿板式安装框架。
- 插头螺钉法兰结构, 抗振连接。
- 可与2EDGK系列连接器配套使用。
- Free positioning through plate mounting frame.
- Plug screw flange construction, anti - vibration connection.
- It can be used with 2EDGK series connectors.



### 技术参数 Technical data

APPROVAL: CE

型号 Model	线径 Wire range (AWG/mm <sup>2</sup> )	线数 Poles	IEC61984技术参数 (IEC61984 data sheet)		UL1059技术参数 (UL1059 DATA SHEET)	
			电压(V) Rated voltage	电流(A) Rated current	电压(V) Rated voltage	电流(A) Rated current
2CDG-5.08	-	02-22P	-	-	-	-

### 应用行业 Application

工业自动化, 机械,  
轨道交通, 电力电气等行业。  
Industrial automation, machinery, railway transport, electric power.



### 产品包装方式 Packing

Product model	Pcs./Pkt.	Product model	Pcs./Pkt.
2CDG-5.08-02P	25	2CDG-5.08-09P	25
2CDG-5.08-03P	25	2CDG-5.08-10P	25
2CDG-5.08-04P	25	2CDG-5.08-11P	25
2CDG-5.08-05P	25	2CDG-5.08-12P	25
2CDG-5.08-06P	25		
2CDG-5.08-07P	25		
2CDG-5.08-08P	25		

### 型号对照 Cross reference

DEGSON	同行1/Competitor1	同行2/Competitor2
2CDG-5.08	IC-DFR X	-

### 产品订货 How to order

2CDG-5.08	-	X	X	P	-	1	4	-	0	0	A(H)	
Series NO.		NO. of pole							Standard			
		1	2						通用色 General Color			
		Single pitch	Double pitch				4	Green	PANTONE	556C	DEGSON	04