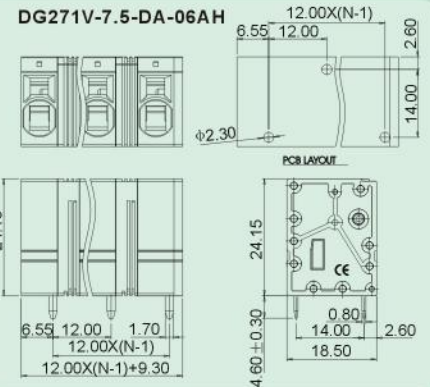


### DG271V-7.5-DA-06AH

- 在00A的基础上新增UL 1000V的规格；
- On the basis of 00A, increase the UL 1000V specifications;



### 技术参数 Technical data

APPROVAL: CE

型号 Model	线径 Wire range (AWG/mm <sup>2</sup> )	线数 Poles	IEC60947技术参数 (IEC60947 data sheet)		UL1059技术参数 (UL1059 data sheet)	
			电压(V) Rated voltage	电流(A) Rated current	电压(V) Rated voltage	电流(A) Rated current
DG271V-7.5	24-8/0.2-6	02-12P	1000	41	1000	40

### 应用行业 Application

工业自动化、电梯、新能源、电力电气、仪器仪表、机械、轨道交通、电源等行业  
 industrial automation, elevator, new energy, electric power, instrument, machinery, railway transport, power supply.



### 产品包装方式 Packing

Product model	Pcs./Pkt.	Product model	Pcs./Pkt.
DG271V-7.5-02P	25	DG271V-7.5-08P	25
DG271V-7.5-03P	25	DG271V-7.5-09P	25
DG271V-7.5-04P	25	DG271V-7.5-10P	25
DG271V-7.5-05P	25	DG271V-7.5-11P	25
DG271V-7.5-06P	25	DG271V-7.5-12P	25
DG271V-7.5-07P	25		

### 型号对照 Cross reference

DEGSON	同行1/Competitor1	同行2/Competitor2
DG271V-7.5	-	-

### 产品订货 How to order

DG271V-7.5	-	X	X	P	-	1	4	-	0	6	A(H)
Series NO.		NO. of pole							Standard		
		1	2						通用色 General Color		
		Single pitch	Double pitch						4	Green	PANTONE 556C DEGSON 04