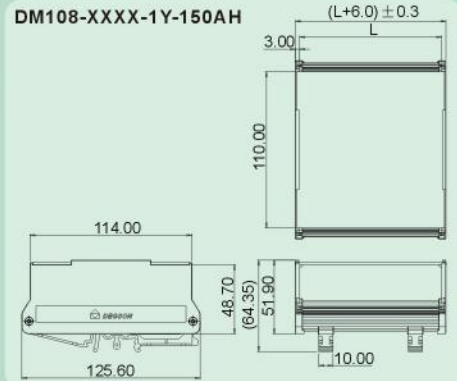


DM108-XXXX-1Y-150AH

- 在DM108-00AH基础上增加顶部透明盖板;
- Adding transparent cover at the top based on DM108-00AH.



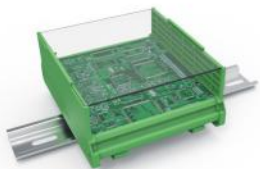
技术参数 Technical data

APPROVAL: **CE**

型号 Model	线径 Wire range (AWG/mm ²)	线数 Poles	IEC60947技术参数 (IEC60947 data sheet)		UL1059技术参数 (UL1059 data sheet)	
			电压(V) Rated voltage	电流(A) Rated current	电压(V) Rated voltage	电流(A) Rated current
DM108	-	01P	-	-	-	-

应用行业 Application

工业自动化, 仪器仪表, 电梯, 机械, 电力电气等行业。
industrial automation, instrument, elevator, machinery, electric power etc.



产品包装方式 Packing

Product model	Pcs./Pkt.
DM108	10

型号对照 Cross reference

DEGSON	同行1/Competitor1	同行2/Competitor2
DM108	-	-

产品订货 How to order

DM108	-	X X X X	-	1 4	-	1 5 10 A(H) Standard
Series NO.		Length				
		1 Single pitch 2 Double pitch		4		通用色 General Color PANTONE 556C Green DEGSON 04