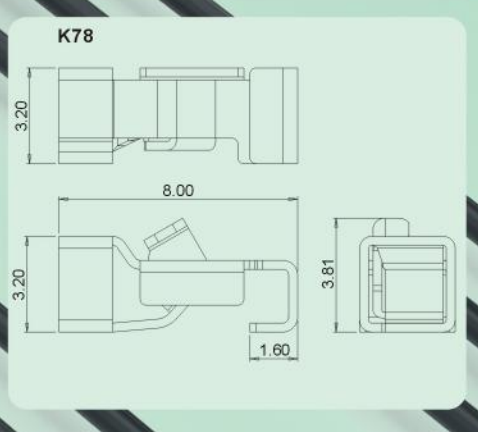


## K78

- PUSH-IN带按压取线结构，操作更方便；
- 紧凑型结构，高度仅为3.81mm；
- 卷带包装，满足SMT回流焊接；
- 独立零件设计，成本更低；
- PUSH-IN with a press line structure, the operation more convenient.
- Compact structure, the height is only 3.81mm.
- Reel packaging to meet SMT reflow soldering.
- Independent parts design, lower cost.



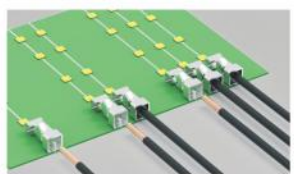
### 技术参数 Technical data

APPROVAL: 

型号 Model	线径 Wire range (AWG/mm <sup>2</sup> )	线数 Poles	IEC60947技术参数 (IEC60947 data sheet)		UL1977技术参数 (UL1977 data sheet)	
			电压(V) Rated voltage	电流(A) Rated current	电压(V) Rated voltage	电流(A) Rated current
K78	20-18/0.5-0.75	01P	-	9	-	9

### 应用行业 Application

照明等行业  
Lighting.



### 产品包装方式 Packing

Product model	Pcs./Pkt.
K78	1500

### 型号对照 Cross reference

DEGSON	同行1/Competitor1	同行2/Competitor2
K78	-	-

### 产品订货 How to order

K78 — 0 0 A(H)  
Standard

Series NO.