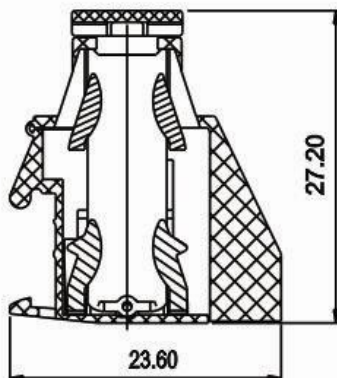
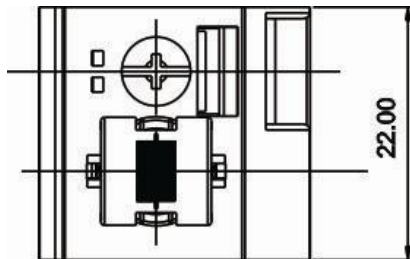




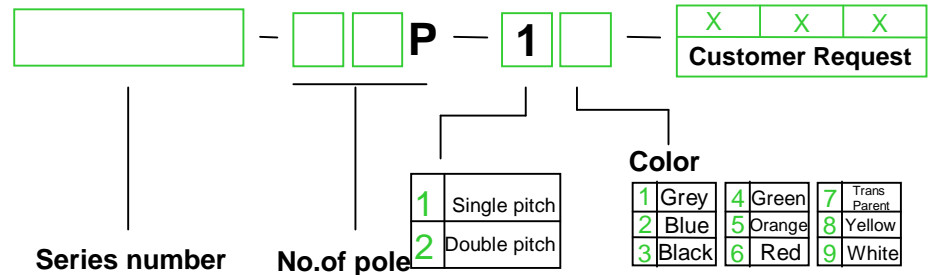
# DEGSON ELECTRONICS CO., LTD.

## Product Specification



<b>APPROVAL</b>		
<b>Electrical</b>	<b>UL</b>	<b>IEC</b>
Standard	UL	IEC
Rated voltage	250V	250V
Rated current	6.3A	6.3A
Wire range	20-14AWG	0.5-2.5mm <sup>2</sup>
Withstanding voltage	AC2000V/1Min	
<b>Mechanical</b>		
Torque	0.8Nm(7.0Lb-In)	
Ambient temperature	-40°C~+105°C	
Strip length	8-10mm	
<b>Dimensions</b>		
Pitch	22.0mm(.866")	
Poles	1P	
<b>Material</b>		
Housing	PA66,UL94V-0	
Screws	M3.5, Steel,Cr <sup>3+</sup> Zn plated	
Contact	Copper, Tin plated	

### HOW TO ORDER :



 THROANGLE PROJECTION	 <b>DEGSON ELECTRONICS CO., LTD.</b> <b>NAME</b> <b>TSF2.5</b>
--------------------------	--