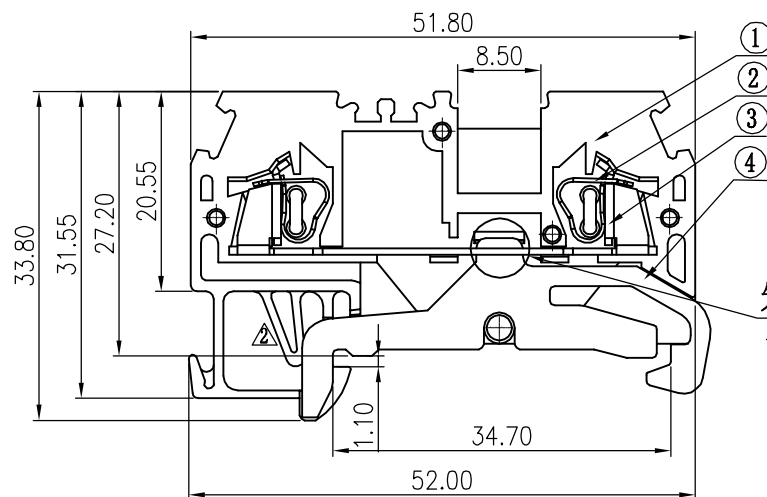
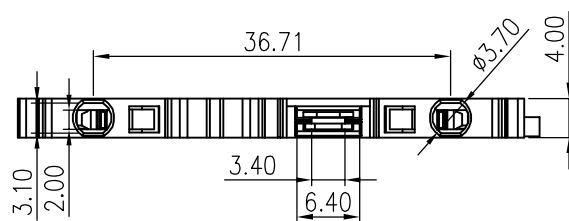
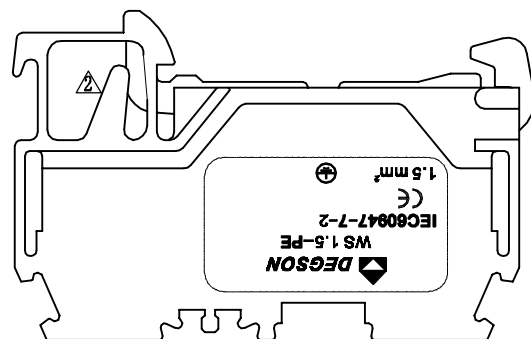


REVISION RECORD				
REV	ECO	DESCRIPTION	DRFT	DATE
△		修改品名料号中“Y”为“C”	LJH	04/06/09'
△		增加限位结构	CW	05/18/09'



Notes:

1. Operation temperatures: $-40^{\circ}\text{C} \sim +105^{\circ}\text{C}$
2. Withstanding Voltage: AC3000V/1Min
3. Insulation Resistance: $5000\text{M}\Omega / \text{DC}1000\text{V}$
4. Wire Range: 28~16AWG, 1.5mm^2
5. Undimensioned Tolerances:

Pitch range in mm		Nominal dimension range in mm						
to	over	to	over	to	over	to	over	
6	10	10	24	30	60	100	150	∩
±0.10	±0.15	±0.25	±0.2	±0.3	±0.5	±0.7	±1.0	□

先将载流体与接地体铆接在一起, 后在铆接处用锡焊接。

4	WS1.5-PE-Ground Pin	6031B00010 (H)	1	Phosphor bronze	SnCe
3	WS1.5-Current Carrier	6026B00010 (H)	1	Copper	SnCe
2	WS1.5-Shrapnel	X000001700 (H)	2	Stainless steel	

1	WS1.5-PE-Housing	6031A0C01A (H) △	1	PA66	UL94V-0
ITEM	NAME OF PART	NO. OF PART	Q'TY	MATERIAL	NOTES
DETACHED LISTS	← MM (INCH) →	DFTO Yangys	DATE 10/23/08"	宁波高正电子有限公司 DEGSON ELECTRONICS CO., LTD NAME (黄绿混色) △ WS1.5-PE-01P-1C-00A (H) DRAWING NO. WS1.5-PE-E01 SIZE A3 REV T2 /PART NO. 05/18/09' DO NOT SCALE DRAWING SHEET 1 OF 1	
	TOLERANCES EXCEPT AS NOTED	CHKD	DATE		
	MM	MFO	DATE		
	.0 ±	APPVL	DATE		
	.00 ±	MATERIAL :			
.000 ±	ANGLES ± 1'	G.E. :			
	THIRD ANGLE PROJECTION	FINISH :		SCALE :	