

REVISION RECORD

REV	ECN	DESCRIPTION	DRFT	DATE
-----	-----	-------------	------	------

NOTES1:

UL Standard

1.Wire range : 24~8AWG

IEC Standard

1. Pollution Degree	3
Overvoltage Category	III
Rate Impulse Voltage(KV)	8.0
Rate Voltage(V)	/
Rate Current(A)	/

2.Wire range : 0.2~10mm<sup>2</sup>

NOTES2:

1.Dimension shall be interpreted per ASME Y14.5-2009

2.Pitch : 10.0mm, Poles : N=01P

3.Stripping length : 13~14mm

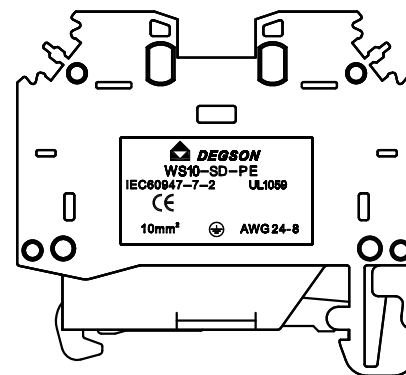
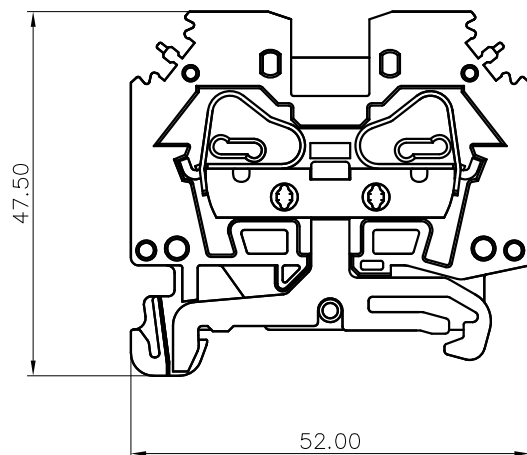
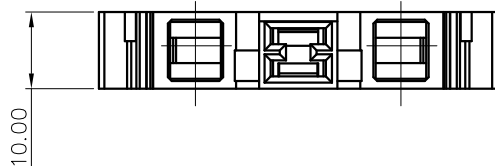
4.Operating temperature: -40°C~+105°C

5.Undimensioned tolerances:

Pitch range in mm		Nominal dimension range in mm					
TO	Over TO	Over TO	TO	Over TO	Over TO	Over TO	0.1/10
6	6 TO 10	10 TO 24	30 TO 60	60 TO 100	100 TO 150	150	∠
±0.15	±0.20	±0.30	±0.30	±0.50	±0.70	±1.00	±1.30
							±2'

6.RoHS Compliance

WS10-SD-PE - 01P - 1C - 00A (H)  
 (Series No.) (Poles) (Single Pitch) (Color):Yellow And Green  
 (RoHS)  
 00A-(Standard)



DETACHED LISTS	PART NO.:	/				宁波高松电子有限公司 NINGBO DEGSON ELECTRICAL CO., LTD			
	APPD:	/				NAME: WS10-SD-PE-01P-1C-00A(H)			
	CHKD:	/							
	DRFT:	/				TITLE: CUSTOMER DRAWING		REV	DO
	THIRD ANGLE PROJECTION		DRAWING NO.:		/		SHEET	1/1	
		MM (INCH)		DO NOT SCALE DRAWING		SCALE	1:1		