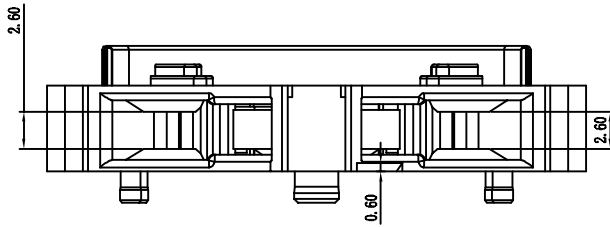


REVISION RECORD				
REV	ECO	DESCRIPTION	DRFT	DATE

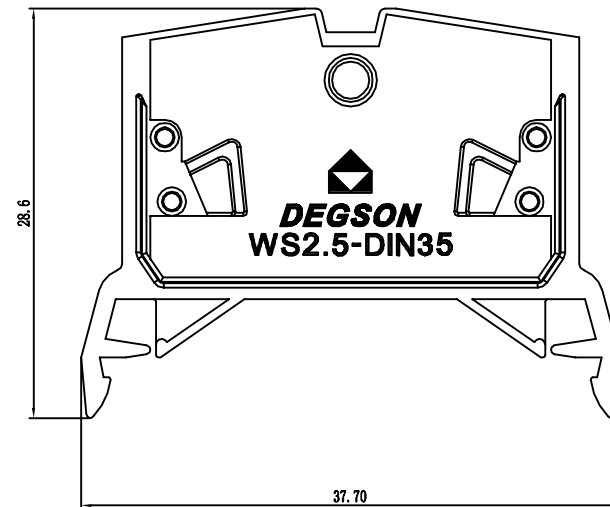
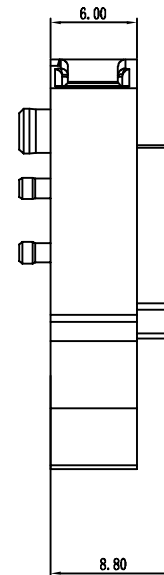
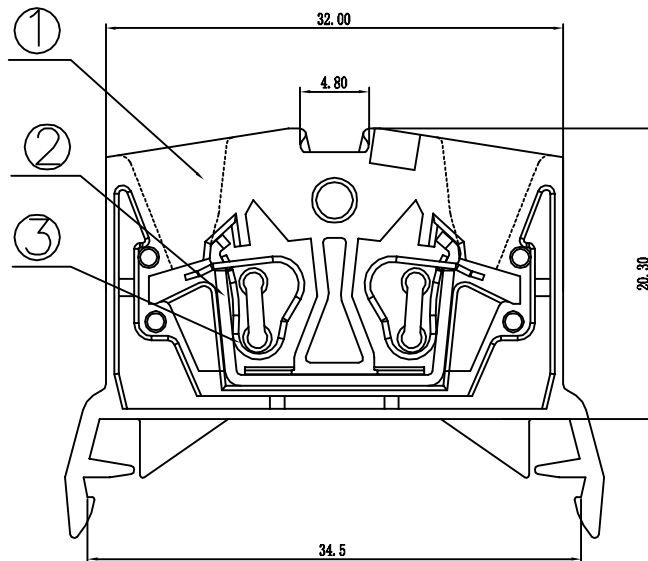
- Notes:
1. Rated vol t age/current: UL1059
600V/15A
 2. Operation temperatures: -40°C ~ +105°C
 3. Wi thstanding Vol t age: AC3500V/1Mi n
 4. Insulati on
 5. Wi re Range: 28~12AWG, 2.5mm²
 6. Undi mensioned Tol erances:

IEC

800V/24A



Pitch range in mm		Nominal dimension range in mm					—
to 6	over 6 to 10	over 10 to 24	to 30	over 30 to 60	over 60 to 100	over 100 to 150	∩
±0.10	±0.15	±0.25	±0.2	±0.3	±0.5	±0.7	±1
							□
							∩



3	DG242-Shrapnel	X000000990(H)	Stainless steel
2	WS2.5-MID-CO-Current Cop	6160B00010(H)	Copper Tin Plated

ITEM	NAME OF PART	NO. OF PART	Q'TY	MATERIAL	NOTES	
1	WS2.5-DIN35-Housing	6158A0Y01A(H)	1	PA66	UL94V-	
SHEET NUMBER	DEPTO Yangys	DATE 10/05/08	宁波高正电子有限公司 DEGSON ELECTRONICS CO., LTD NAME WS2.5-DIN35-01P-1Y-00A(H) DRAWING NO. WS2.5-DIN35-E01 SIZE A3 REV TO 10/05/08 /PART NO. DO NOT SCALE DRAWING SHEET 1 OF 1			
	TOLERANCES EXCEPT AS NOTED	CHKD				DATE
	MM	MPO				DATE
	.0 ±	APPVL				DATE
	.00 ±	MATERIAL :				
.000 ±	ANGLES ± 1°	G. B :				
	FINISH :					
	SCALE : 1:1					
	THIRD ANGLE PROJECTION					