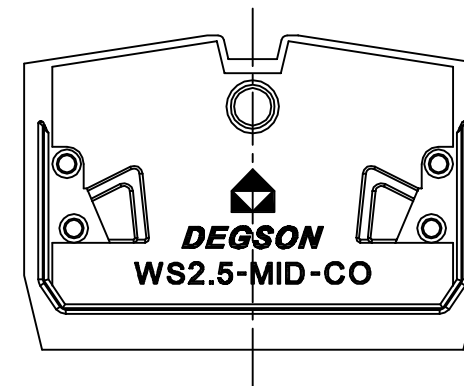
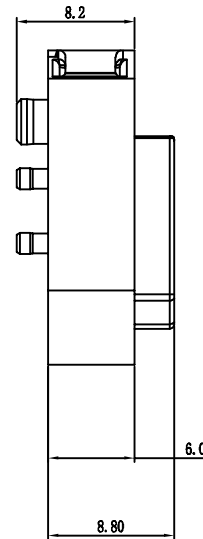
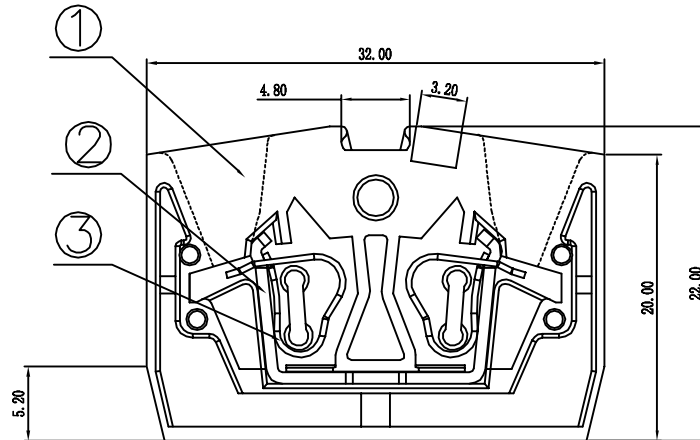
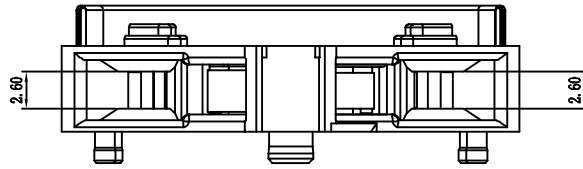


REVISION RECORD

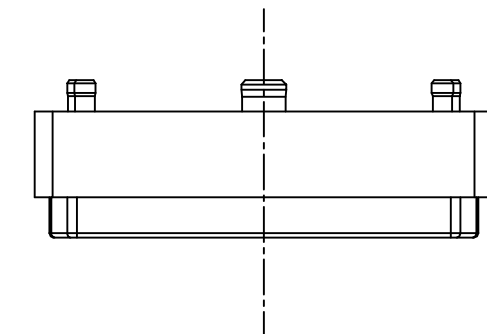
REV	ECO	DESCRIPTION	DRFT	DATE

Notes:

1. Rated voltage/current: UL1059 600V/15A  
IEC 800V/24A
2. Operation temperatures: -40°C ~ +105°C
3. Withstanding Voltage: AC3500V/1Min
4. Insulation Resistance: 1000MΩ /DC500V
5. Wire Range: 28~12AWG, 2.5mm<sup>2</sup>
6. Undimensioned Tolerances:



Pitch range in mm		Nominal dimension range in mm					—
to 6	over 6 to 10	over 10 to 24	over 30 to 60	over 60 to 100	over 100 to 150	over 150	∩
±0.10	±0.15	±0.25	±0.2	±0.3	±0.5	±0.7	±1
							0.05/10



3	DG242-Shrapnel	X000000990(H)	2	Stainless steel	
2	WS2.5-MID-CO-Current Carrier	6160B00010(H)	1	Copper	Tin Plated

ITEM	NAME OF PART	NO. OF PART	Q'TY	MATERIAL	NOTES
	WS2.5-MID-CO-Housing	6160A0Y01A(H)	1	PA66	UL94V-0
DIMENSIONS	← INCH →	DPTD LYK	DATE 09/01/07	宁波高正电子有限公司 DEGSON ELECTRONICS CO., LTD NAME WS2.5-MID-CO-01P-1Y-00A(H) DRAWING NO. WS2.5-MID-CO-E01 SIZE A3 REV TO 06/28/06 /PART NO.	
	TOLERANCES EXCEPT AS NOTED	CHKD	DATE		
	MATERIAL :	MFO	DATE		
	ANGLES ± 1°	APPVL	DATE		
	G. B :				
	FINISH :				
	SCALE : 1:1			DO NOT SCALE DRAWING	
				SHEET 1	OF 1