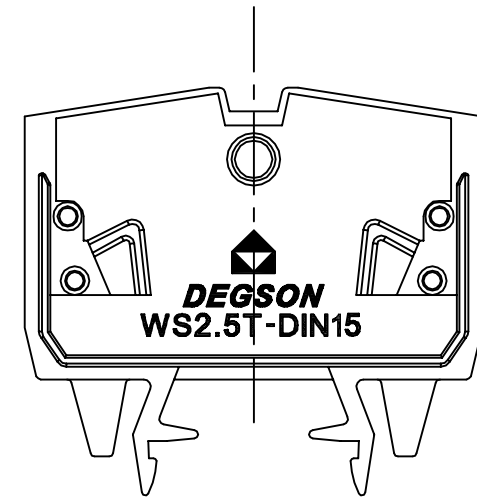
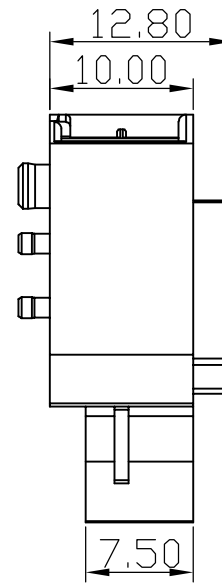
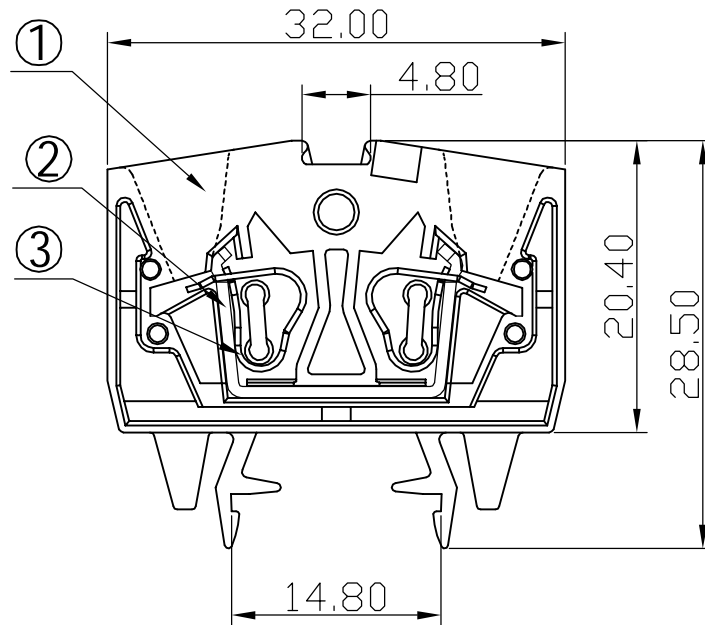
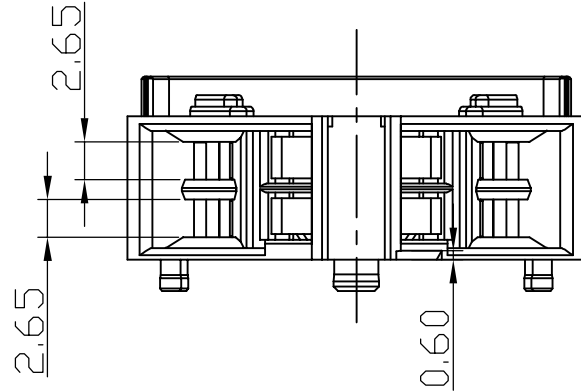


REVISION RECORD				
REV	ECD	DESCRIPTION	DRFT	DATE

Notes:

- Rated voltage/current:UL1059 600V/15A
IEC 800V/24A
- Operation temperatures:-40°C~+105°C
- Withstanding Voltage:AC3500V/1min
- Insulation Resistance:1000MΩ/DC500V
- Wire Range:28~12AWG, 2.5mm²
- Undimensioned Tolerances:

Pitch range in mm		Nominal dimension range in mm						—
to	over	to	over	over	over	over	∩	
6	6	10	30	60	100	150	∇	
6	10	24	30	60	100	150		
±0.10	±0.15	±0.25	±0.2	±0.3	±0.5	±0.7	±1	
							0.05/10	



3	DG242-Shrapnel	X000000990(H)	4	Stainless steel	
2	WS2.5T-MID-C0-Current Carrier	6162B00010(H)	1	Copper	Tin Plated

ITEM	NAME OF PART	NO. OF PART	Q'TY	MATERIAL	NOTES
1	WS2.5T-DIN15-Housing	6157A0Y01A(H)	1	PA66	UL94V-0
DETACHED LISTS	MM (INCH)	DFTD Yangys	DATE	10/05/08'	
	TOLERANCES EXCEPT AS NOTED	CHKD	DATE		
		MFD	DATE		
		APPVL	DATE		
		MATERIAL :			
	ANGLES ± 1°	G.E :			
	FINISH:				
	THIRD ANGLE PROJECTION	SCALE : 1:1	DO NOT SCALE DRAWING		
NAME			DEGSON® 宁波高正电子有限公司 DEGSON ELECTRONICS CO., LTD		
DRAWING NO. WS2.5T-DIN15-E01			SIZE	REV TO	
/PART NO.			A3	10/05/08'	
SHEET 1			OF 1		