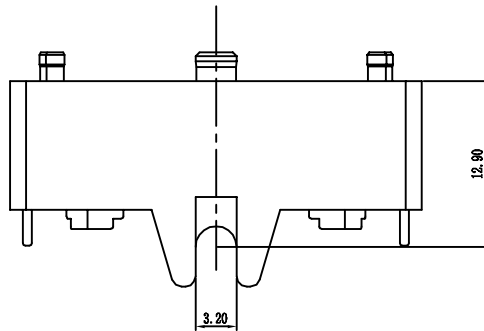
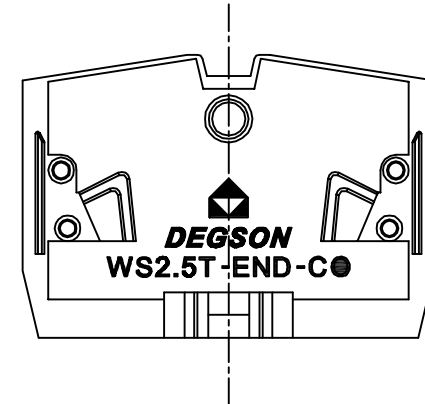
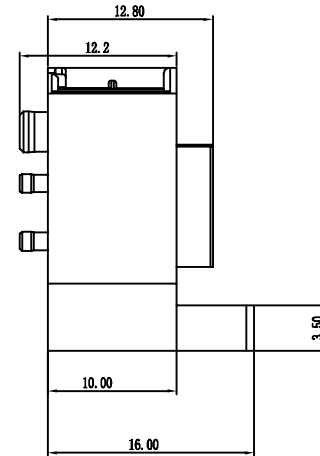
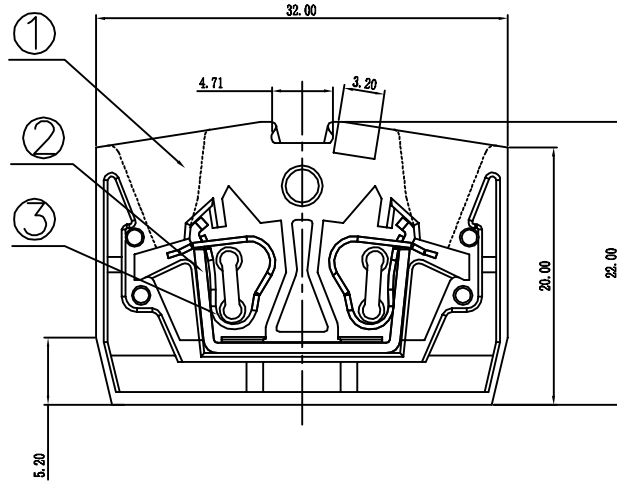
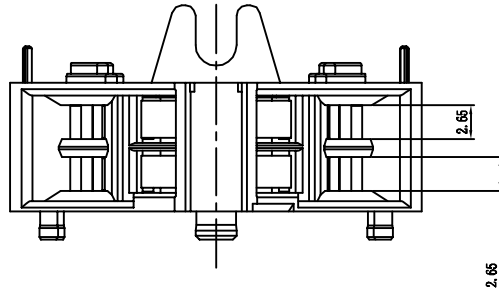


| REVISION RECORD | | | | |
|-----------------|-----|-------------|------|------|
| REV | ECO | DESCRIPTION | DRFT | DATE |
| | | | | |

Notes:

- Rated voltage/current: UL1059 600V/15A
IEC 800V/24A
- Operation temperatures: -40°C~+105°C
- Withstanding Voltage: AC3500V/1Min
- Insulation Resistance: 1000MΩ /DC500V
- Wire Range: 28~12AWG, 2.5mm²
- Undimensioned Tolerances:

| Pitch range in mm | | | Nominal dimension range in mm | | | | | — |
|-------------------|--------------|---------------|-------------------------------|----------------|-----------------|----------|---|---|
| to 6 | over 6 to 10 | over 10 to 24 | over 30 to 60 | over 60 to 100 | over 100 to 150 | over 150 | ∩ | |
| ±0.10 | ±0.15 | ±0.25 | ±0.2 | ±0.3 | ±0.5 | ±0.7 | ∇ | |
| | | | | | | | ∩ | |
| | | | | | | | ∇ | |



| | | | | | |
|---|-------------------------------|---------------|---|-----------------|------------|
| 3 | DG242-Shrapnel | X000000990(H) | 4 | Stainless steel | |
| 2 | WS2.5T-MID-CO-Current Carrier | 6162B00010(H) | 1 | Copper | Tin Plated |

| ITEM | NAME OF PART | NO. OF PART | Q'TY | MATERIAL | NOTES | |
|--------------|------------------------|---------------|---|---|-----------------------------------|------|
| | WS2.5T-END-CO-Housing | 6163A0Y01A(H) | 1 | PA66 | UL94V-0 | |
| SHEET LISTED | DEPTO LYK | DATE 10/21/07 | 宁波高正电子有限公司 DEGSON ELECTRONICS CO., LTD | | | |
| | CHKD | DATE | | | | |
| | MFO | DATE | | | | |
| | APPVL | DATE | | | | |
| | MATERIAL : | G. B : | | NAME | | |
| | ANGLES ± 1° | FINISH : | | WS2.5T-END-CO-01P-1Y-00A (H) | | |
| | THIRD ANGLE PROJECTION | SCALE : 1: 1 | | DRAWING NO. WS2.5T-END-CO-E01 SIZE A3 REV TO 06/28/08 | | |
| | | | | /PART NO. | | OF 1 |
| | | | | | DO NOT SCALE DRAWING SHEET 1 OF 1 | |