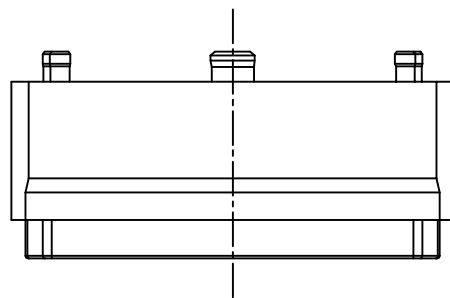
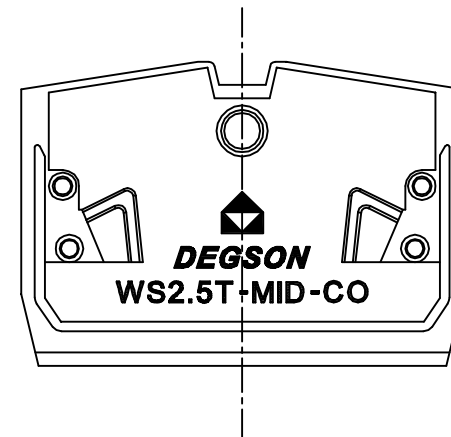
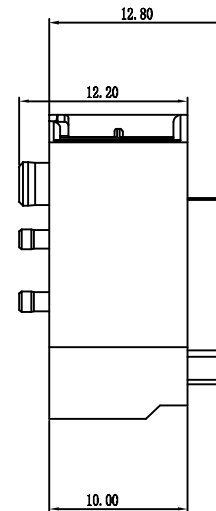
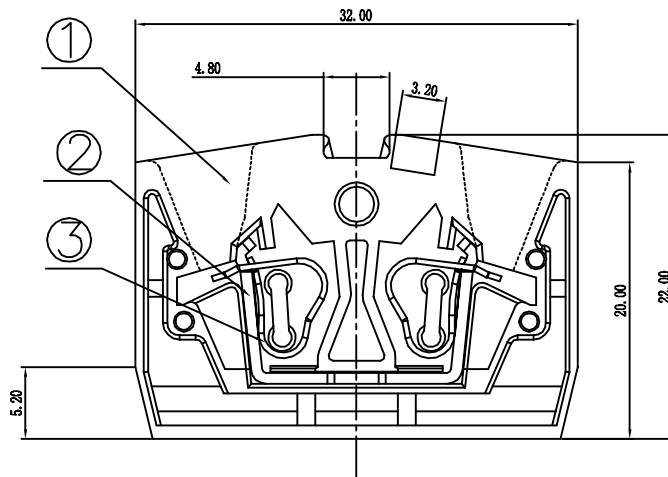
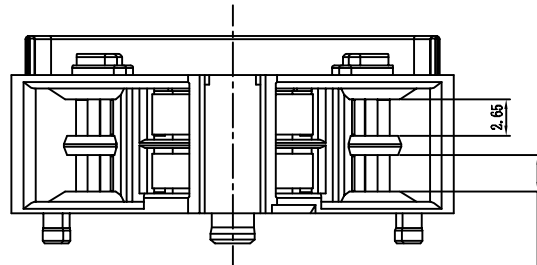


REVISION RECORD				
REV	ECO	DESCRIPTION	DRFT	DATE

Notes:

- Rated voltage/current: UL1059 600V/15A  
IEC 800V/24A
- Operation temperatures: -40°C ~ +105°C
- Withstanding Voltage: AC3500V/1min
- Insulation Resistance: 1000MΩ / DC500V
- Wire Range: 28~12AWG, 2.5mm<sup>2</sup>
- Unidimensional Tolerances:

Pitch range in mm		Nominal dimension range in mm						—
over 6	over 10	over 30	over 60	over 100	over 150	—	∩	
to 6	to 24	to 30	to 60	to 100	to 150	—	∇	
±0.10	±0.15	±0.25	±0.2	±0.3	±0.5	±0.7	±1	
							0.05/10	



3	DG242-Shrapnel	X000000990(H)	4	Stainless steel
2	WS2.5T-MID-CO-Current Carrier	6162B00010(H)	1	Copper Tin Plated

ITEM	NAME OF PART	NO. OF PART	Q'TY	MATERIAL	NOTES
1	WS2.5T-MID-CO-Housing	6162A0Y01A(H)	1	PA66	UL94V-
STANDARD LISTS	← INCH →	DEPTO L/YK	DATE 08/28/07	宁波高正电子有限公司 DEGSON ELECTRONICS CO., LTD NAME WS2.5T-MID-CO-01P-1Y-00A(H)	
	TOLERANCES EXCEPT AS NOTED	CHD	DATE		
	MM	MFO	DATE		
	.0 ±	APPL	DATE		
	.00 ±	MATERIAL :			
.000 ±	G. B :				
ANGLES ± 1°	FINISH :				
THIRD ANGLE PROJECTION	SCALE :			DRAWING NO. WS2.5T-MID-CO-E01	SIZE A3
				DO NOT SCALE DRAWING	SHEET 1 OF 1