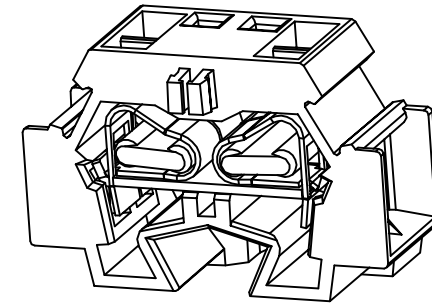
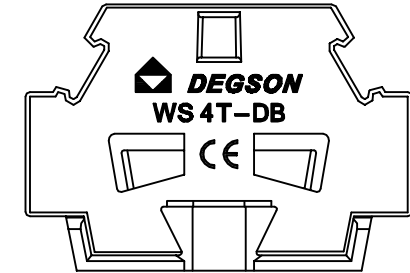
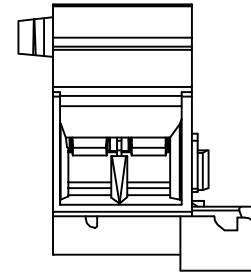
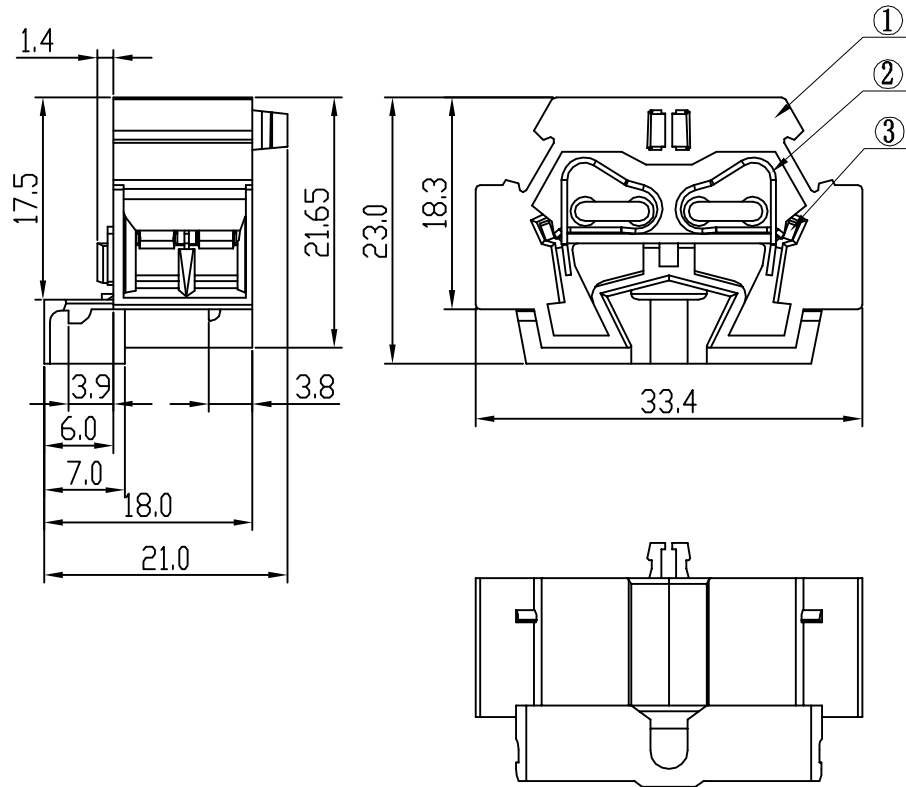
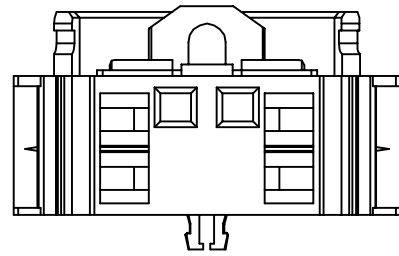


REVISION RECORD				
REV	ECD	DESCRIPTION	DRFT	DATE



Notes:

- Rated voltage/current: UL1059 300V/20A
IEC 630V/32A
- Operation temperatures: -40°C ~ +105°C
- Withstanding Voltage: AC2500V/1Min
- Insulation Resistance: 5000MΩ/DC1000V
- Wire Range: 28~12AWG, 4mm²
- Undimensioned Tolerances:

Pitch range in mm		Nominal dimension range in mm							—
to	over	over	over	over	over	over	over	—	
6	10	10	30	60	100	150	150	∩	
to	to	to	to	to	to	to	to	◇	
6	10	24	30	60	100	150	150		
±0.10	±0.15	±0.25	±0.2	±0.3	±0.5	±0.7	±1.0	0.05/10	

ITEM	NAME OF PART	NO. OF PART	Q'TY	MATERIAL	NOTES
3	WS 4T-DB-Current-Carrier	6155B00010 (H)	1	Copper	SnCe
2	WS 4-Shrapnel	X000000600 (H)	4	Stainless steel	
1	WS 4T-DB-Housing	6155A0Y01A (H)	1	PA66	UL94V-0

DETACHED LISTS	MM (INCH)	DFTD Yangys	DATE 10/23/08*
	TOLERANCES EXCEPT AS NOTED	CHKD	DATE
		MFD	DATE
		APPVL	DATE
		MATERIAL :	
	ANGLES ± 1°	G.E :	
	THIRD ANGLE PROJECTION	FINISH:	
	SCALE : 1:1		

DEGSON [®]		宁波高正电子有限公司 DEGSON ELECTRONICS CO., LTD	
NAME WS 4T-DB-01P-1Y-00A (H)			
DRAWING NO. WS 4T-DB-E01		SIZE A3	REV TO 10/23/08*
/PART NO.			
DO NOT SCALE DRAWING		SHEET 1	OF 1