

REVISION RECORD				
REV	ECN	DESCRIPTION	DRFT	DATE

NOTES1:

UL Standard
1.Wire range : 24~10AWG

IEC Standard

1. Pollution Degree	3
Overvoltage Category	III
Rate Impulse Voltage(KV)	8.0
Rate Voltage(V)	/
Rate Current(A)	/

2.Wire range : 0.2~6mm²

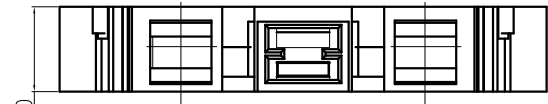
NOTES2:

- 1.Dimension shall be interpreted per ASME Y14.5-2009
- 2.Pitch :8.0mm, Poles : N=01P
- 3.Stripping length : 9~10mm
- 4.Operating temperature:-40°C~+105°C
- 5.Undimensioned tolerances:

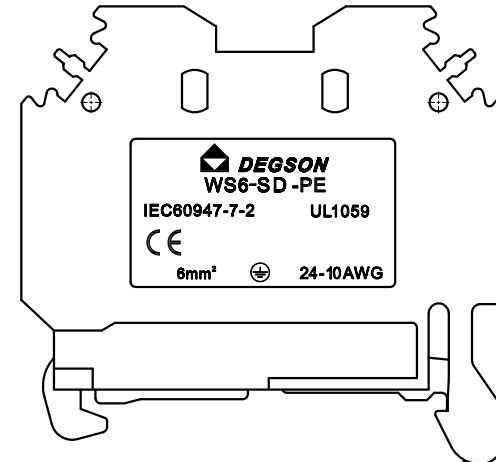
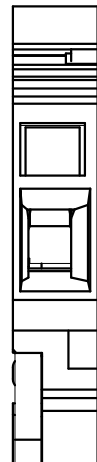
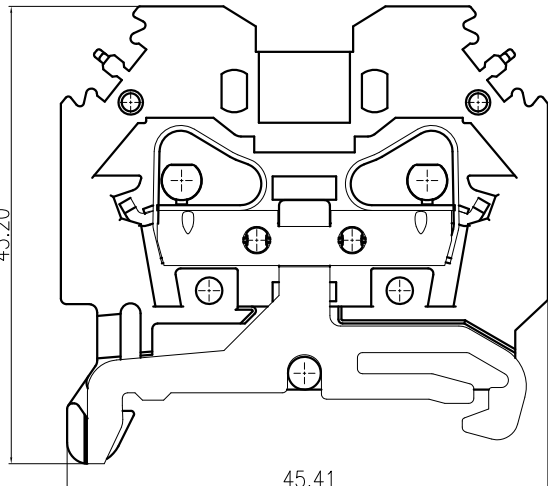
Pitch range in mm		Nominal dimension range in mm				0.1/10
TO	Over TO	Over TO	Over TO	Over TO		
6	6 TO 10	10 TO 24	30 TO 60	60 TO 100	100 TO 150	±2*
±0.15	±0.20	±0.30	±0.30	±0.50	±0.70	±1.00

6.RoHS Compliance

WS6-SD-PE - 01P - 1Y - 00A (H)
 (Series No.) (Poles) (Single Pitch) (Color):1.(Grey)
 (RoHS)
 00A-(Standard)
 2.(Blue)
 3.(Black)
 4.(Green)
 5.(Orange)
 6.(Red)
 7.(Transparent)
 8.(Yellow)
 9.(White)



8.00



DEGSON
WS6-SD-PE
 IEC60947-7-2 UL1059
 CE 6mm² 24-10AWG

DETACHED LISTS	PART NO.:	/			
	APPD:	/			
	CHKD:	/			
	DRFT:	/			
	<p>THIRD ANGLE PROJECTION</p>		DRAWING NO.:		/
		DO NOT SCALE DRAWING SCALE: 1:1		REV: / DO: / SHEET: 1/1	

DEGSON 宁波高松电子有限公司
 NINGBO DEGSON ELECTRICAL CO., LTD

NAME: WS6-SD-PE-01P-1Y-00A(H)

TITLE: CUSTOMER DRAWING

SCALE: 1:1