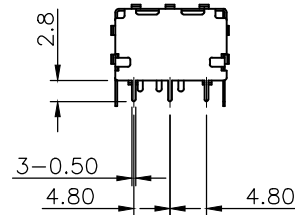
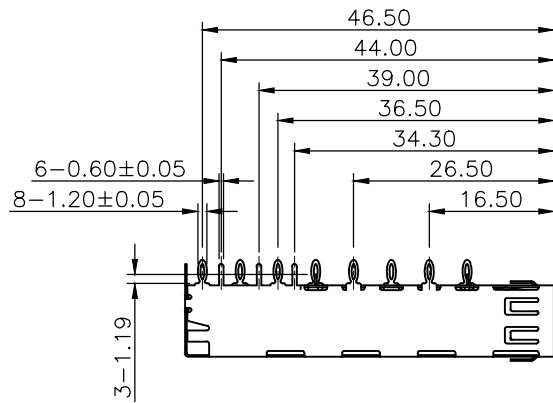
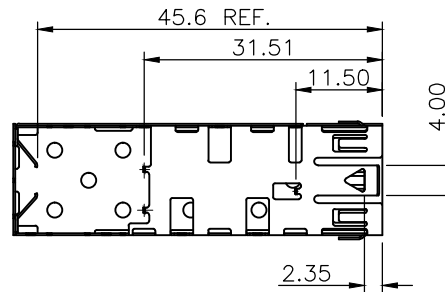
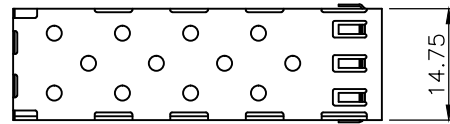


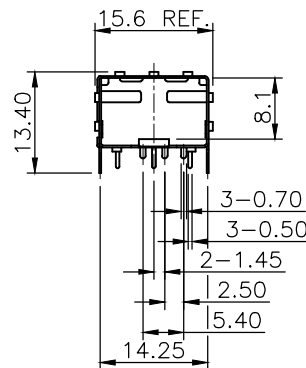
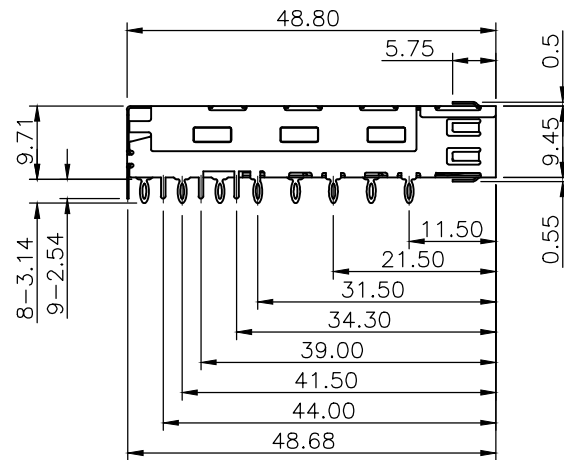
REV.	DESCRIPTION	DRAWN	DATE
1	INITIAL RELEASE	FROS	2016/08/17
2	CHANGE P/N	FROS	2016/10/11



Back View

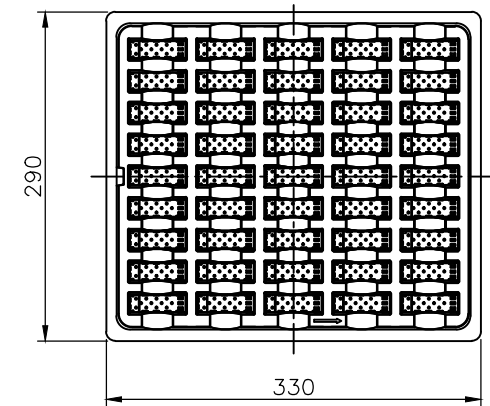


Bottom View



PACKAGING SPECIFICATION:

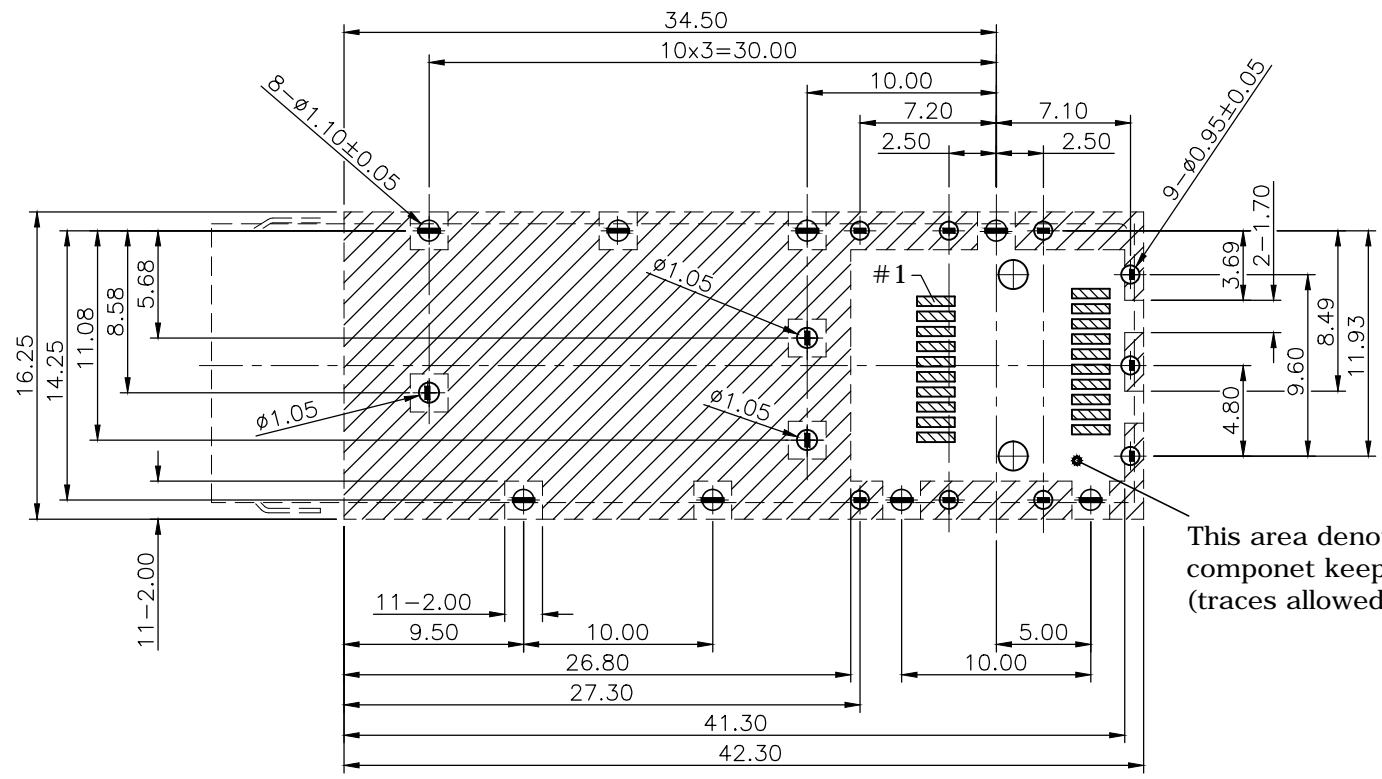
- 45pcs/ Vacuum Dish
- 990pcs/ Carton
- Vacuum Dish size: 330x290x19mm
- Carton: 340x300x427mm



1	Cage	Copper Alloy 0.25t, Nickel Plating	
NO. PART NAME		DESCRIPTION	
UNLESS OTHERWISE SPECIFIED TOLERANCE			
UNIT:	DECIMAL	LINEAR	ANGLES
mm	X.	±0.50	±5°
	X.X	±0.25	±3°
	X.XX	±0.12	±1°
WWW.ATTEND.COM.TW			
DRAWN	Fros	2016/08/17	DRAWN NAME: SFP Cage 1x1 Press Fit Type
CHECKED	Tim	2016/08/17	
APPROVED	Ken	2016/08/17	PRODUCT NO. 223A-1101
	SCALE	SHEET	SIZE
	1/1	1/2	A4
FILE NAME		223A-1101_B_2	



REV.	DESCRIPTION	DRAWN	DATE
	SEE SHEET ONE		

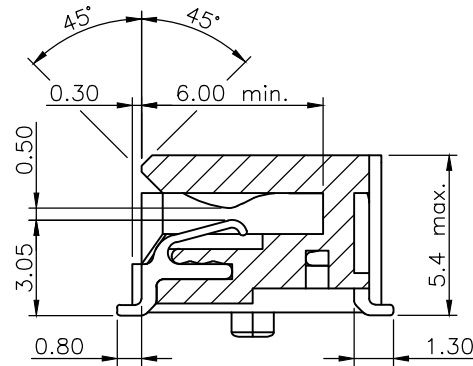
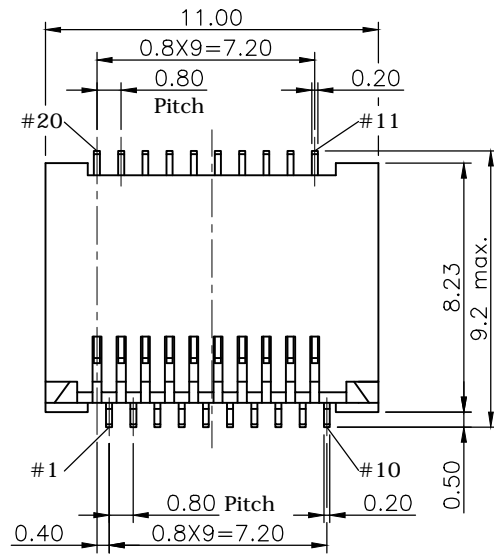


- Cage Boundary
- Component and trace keep-out (except chassis ground)
- Connector PAD

Recommended Layout (top view)
General Tolerance: ±0.05mm

UNLESS OTHERWISE SPECIFIED TOLERANCE							
UNIT:	DECIMAL	LINEAR	ANGLES			WWW.ATTEND.COM.TW	
mm	X.	±0.50	±5°			DRAWN: Fros 2016/08/17 CHECKED: Tim 2016/08/17 APPROVED: Ken 2016/08/17 DRAWN NAME: SFP Cage 1x1 Press Fit Type	
	X.X	±0.25	±3°				
	X.XX	±0.12	±1°				
DRAWN	Fros	2016/08/17	PRODUCT NO.	223A-1101	2		
CHECKED	Tim	2016/08/17	FILE NAME	223A-1101_B_2	2		
APPROVED	Ken	2016/08/17	SCALE	2.5/1			
			SHEET	2/2			
			SIZE	A4			

REV.	DESCRIPTION	DRAWN	DATE
1	INITIAL RELEASE	FROS	2016/08/17
2	CHANGE P/N	FROS	2016/10/11



SECTION A-A

SPECIFICATION:

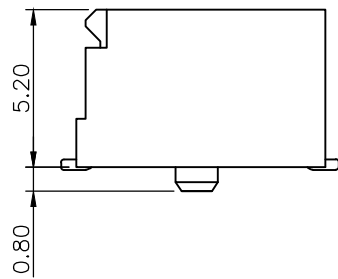
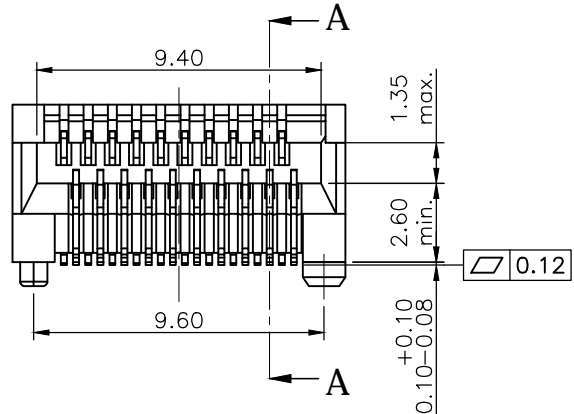
1. ELECTRICAL
 - 1.1 Current Rating: 0.5A MAX.
 - 1.2 Voltage Rating: 30V AC/DC
 - 1.3 Contact Resistance: 20mΩ
 - 1.4 Insulation Resistance: 500MΩ
 - 1.5 Differential Impedance: 100Ω

2. MECHANICAL

- 2.1 MATERIAL:
 - Housing: LCP UL94V-0, Black
 - Contact: Phosphor Bronze, 0.2T
- 2.2 Operating Life : 250 Cycles Min.

3. ENVIRONMENTAL

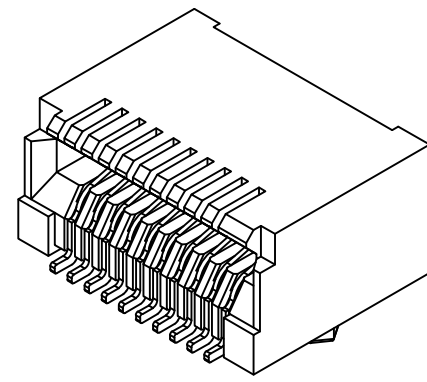
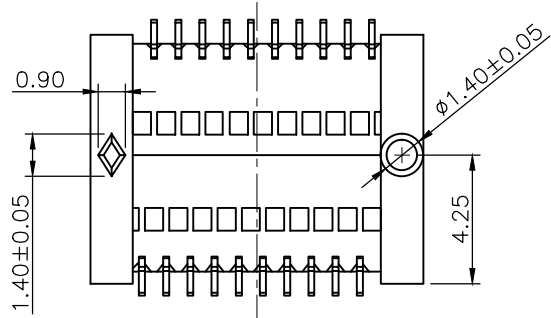
- 3.1 Operating temperature range: -40°C ~ +85°C
- 3.2 Storage temperature range: -40°C ~ +85°C
- 3.3 IR Temperature: 255°C ± 5°C (5 to 10 sec)



How to order

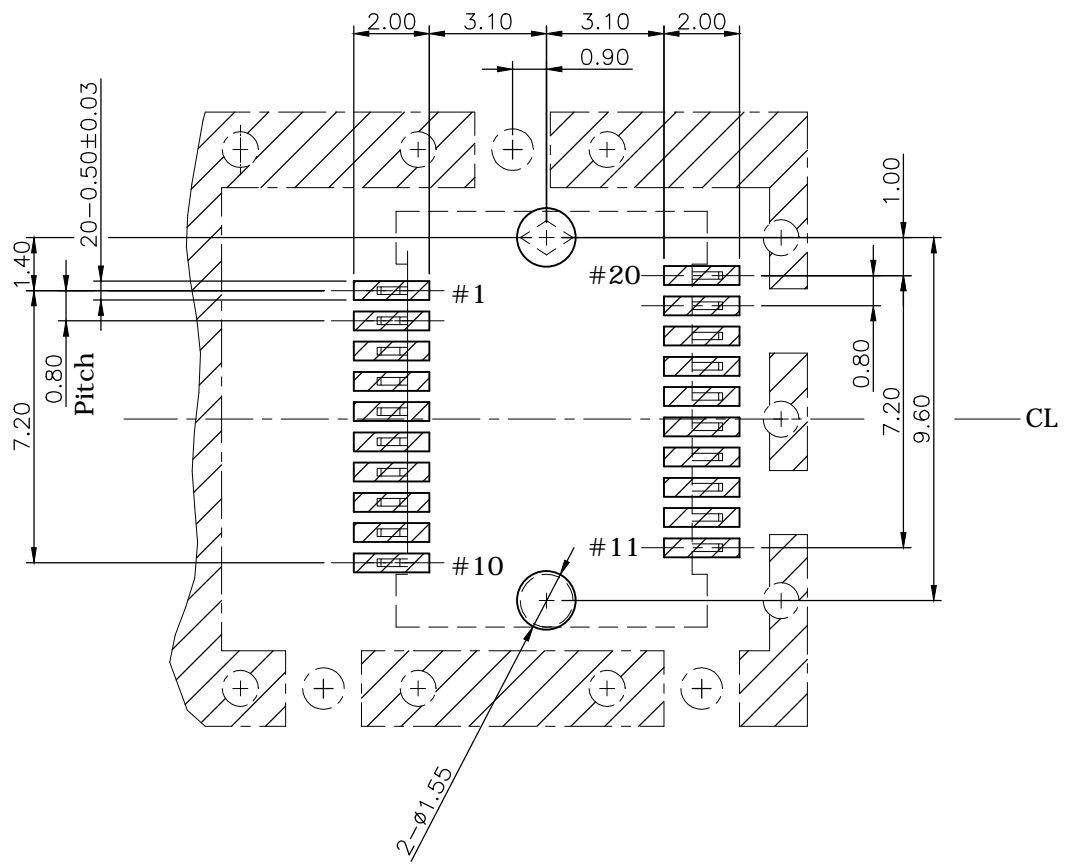
223A- 00 C 0

Connector 5u" Gold plating



UNLESS OTHERWISE SPECIFIED TOLERANCE							
UNIT:	DECIMAL	LINEAR	ANGLES			WWW.ATTEND.COM.TW	
mm	X.	±0.50	±5°	DRAWN Willis 2009/10/14 CHECKED Angel 2009/10/14 APPROVED Ken 2009/10/14 SCALE 4/1 SHEET 1/2 SIZE A4			
	X.X	±0.25	±3°			DRAWN NAME: 1x1 SFP Connector 20Pin	
	X.XX	±0.12	±1°			PRODUCT NO. 223A-00C0	
				FILE NAME	223A-00C0_B_1		

REV.	DESCRIPTION	DRAWN	DATE
	SEE SHEET ONE		



- SFP CONNECTOR
- PAD
- CAGE

RECOMMENDED LAYOUT (TOP VIEW)
GENERAL TOLERANCE: ±0.05mm

UNLESS OTHERWISE SPECIFIED TOLERANCE				
UNIT:	DECIMAL	LINEAR	ANGLES	
mm	X.	±0.50	±5°	
	X.X	±0.25	±3°	
	X.XX	±0.12	±1°	
WWW.ATTEND.COM.TW				
DRAWN	Willis	2009/10/14	DRAWN NAME:	
CHECKED	Angel	2009/10/14	1x1 SFP Connector 20Pin	
APPROVED	Ken	2009/10/14	PRODUCT NO. 223A-00C0	
	SCALE 5/1	SHEET 2/2	SIZE A4	FILE NAME 223A-00C0_B_1