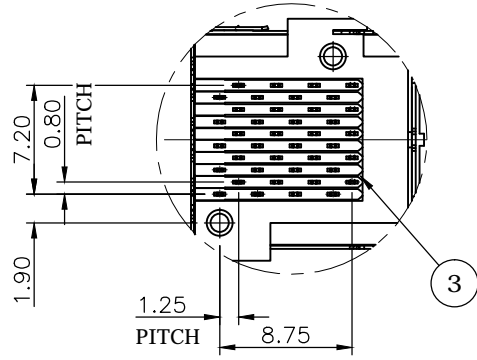
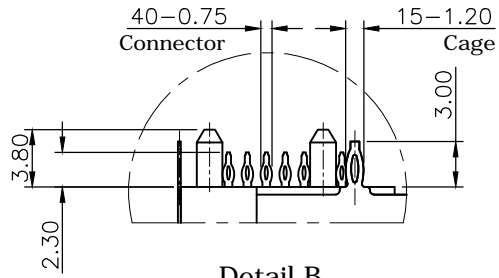


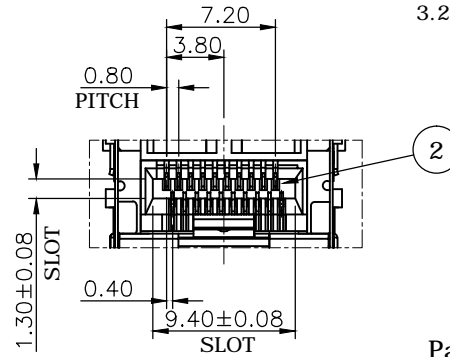
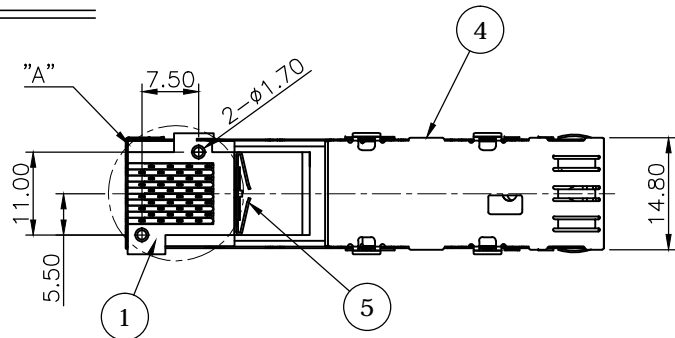
REV.	DESCRIPTION	DRAWN	DATE
1	INITIAL RELEASE	FROS	2016/08/17
2	CHANGE P/N	FROS	2016/10/11



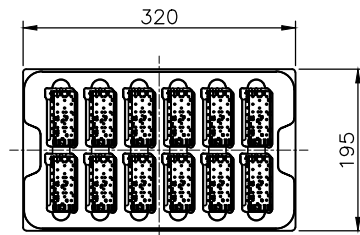
Detail A
Scale 2/1



Detail B
Scale 2/1

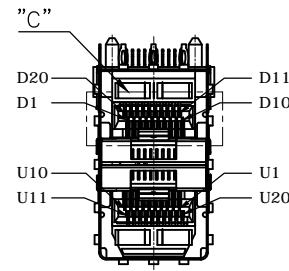
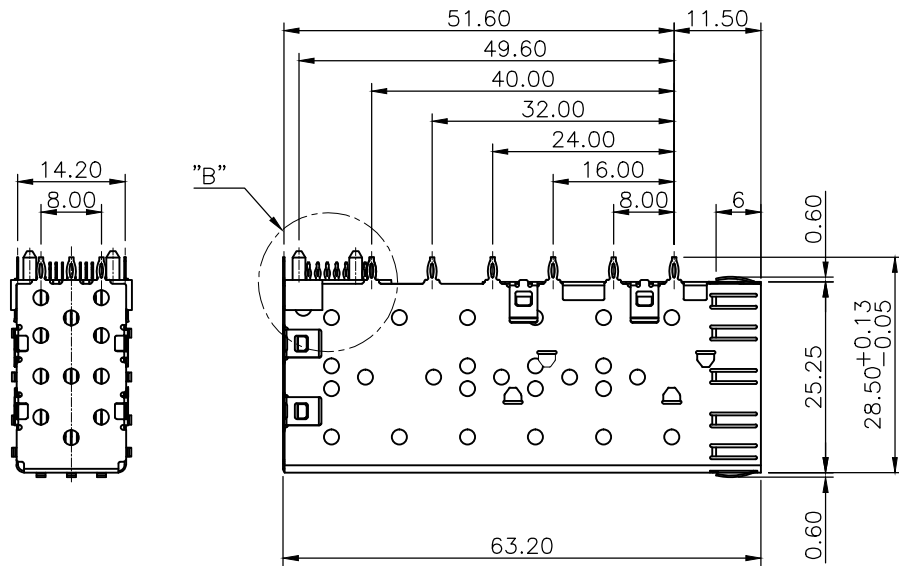


Detail C
Scale 2/1



Packing

- 12pcs/ Vacuum Dish
- 336pcs/ Carton (380x315x290mm)



NO.	PART NAME	DESCRIPTION
5	LEAF SPRING	Stainless Steel
4	CAGE	Copper Alloy 0.25t
3	INSERT	LCP & PA9T+30%GF, UL94V-0, Black
2	CONTACT	Phosphor Bronze 0.2t, Gold plating over Nickel
1	HOUSING	LCP, UL94V-0, Black

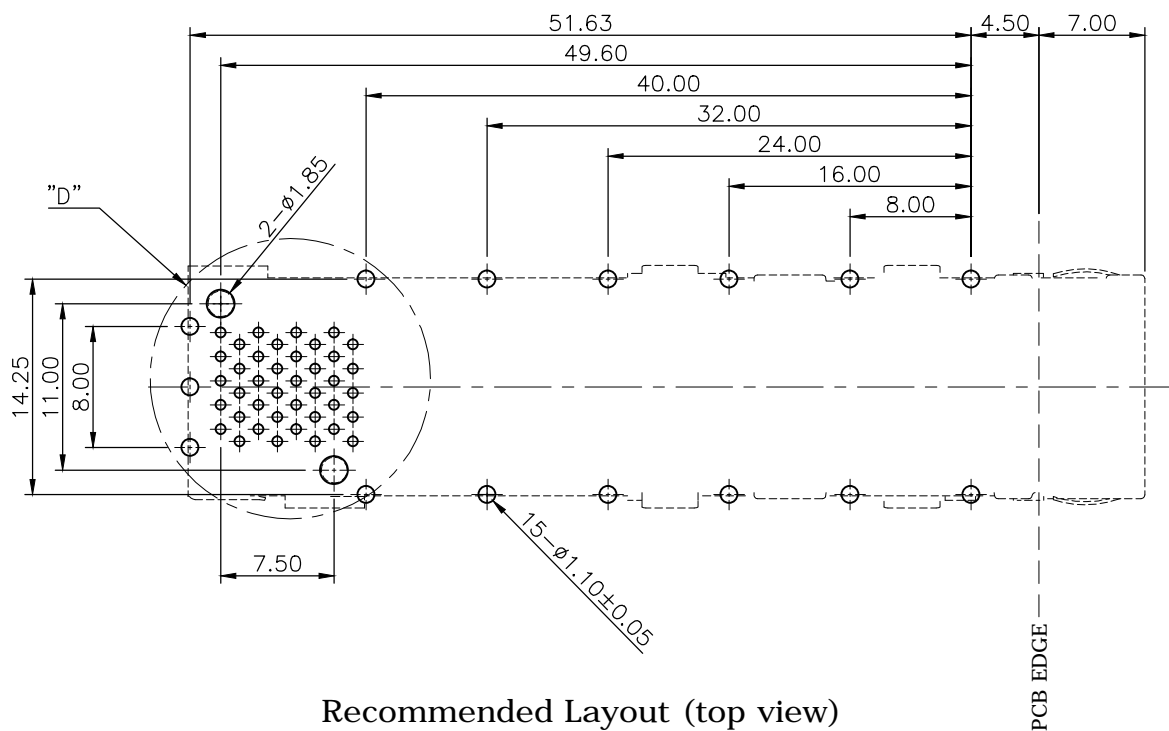
UNLESS OTHERWISE SPECIFIED TOLERANCE			
UNIT:	DECIMAL	LINEAR	ANGLES
mm	X.	±0.50	±5°
	X.X	±0.25	±3°
	X.XX	±0.12	±1°

DRAWN	Fros	2016/08/17	DRAWN NAME: SFP Cage With Connector 2x1 Press Fit Type, 6u"				
CHECKED	Tim	2016/08/17					
APPROVED	Ken	2016/08/17	PRODUCT NO. 223A-2103				
SCALE	1/1	SHEET	1/2	SIZE	A4	FILE NAME	223A-2103_B_2

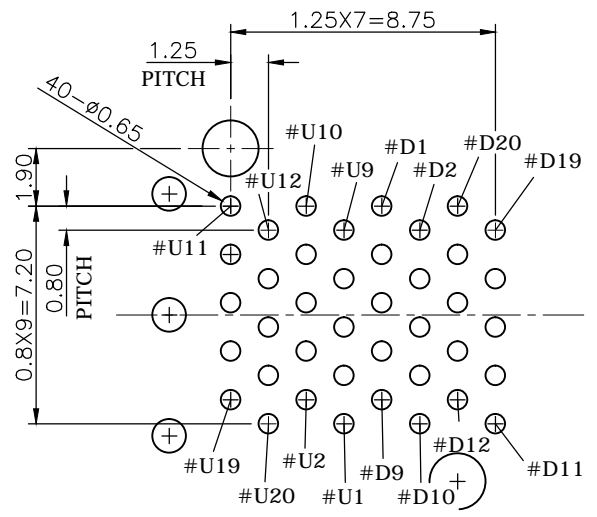


WWW.ATTEND.COM.TW

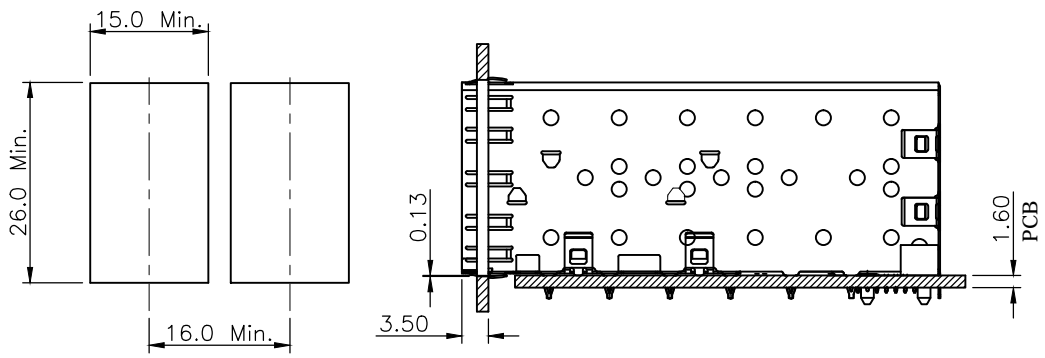
REV.	DESCRIPTION	DRAWN	DATE
	SEE SHEET ONE		




Recommended Layout (top view)
General Tolerance: ±0.05mm



Detail D
Scale 4/1



BEZEL CUT-OUT
BEZEL THICKNESS: 0.8 TO 2.6mm (SCALE 1/1)

UNLESS OTHERWISE SPECIFIED TOLERANCE				 WWW.ATTEND.COM.TW			
UNIT:	DECIMAL	LINEAR	ANGLES				
mm	X.	±0.50	±5°				
	X.X	±0.25	±3°				
	X.XX	±0.12	±1°				
DRAWN	Fros	2016/08/17	DRAWN NAME:				
CHECKED	Tim	2016/08/17	SFP Cage With Connector 2x1 Press Fit Type, 6u"				
APPROVED	Ken	2016/08/17	PRODUCT NO. 223A-2103				
SCALE	2/1	SHEET	2/2	SIZE	A4	FILE NAME	223A-2103_B_2