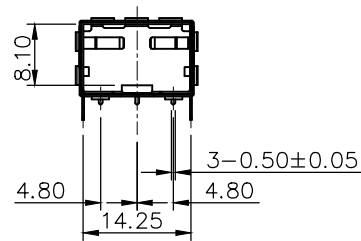
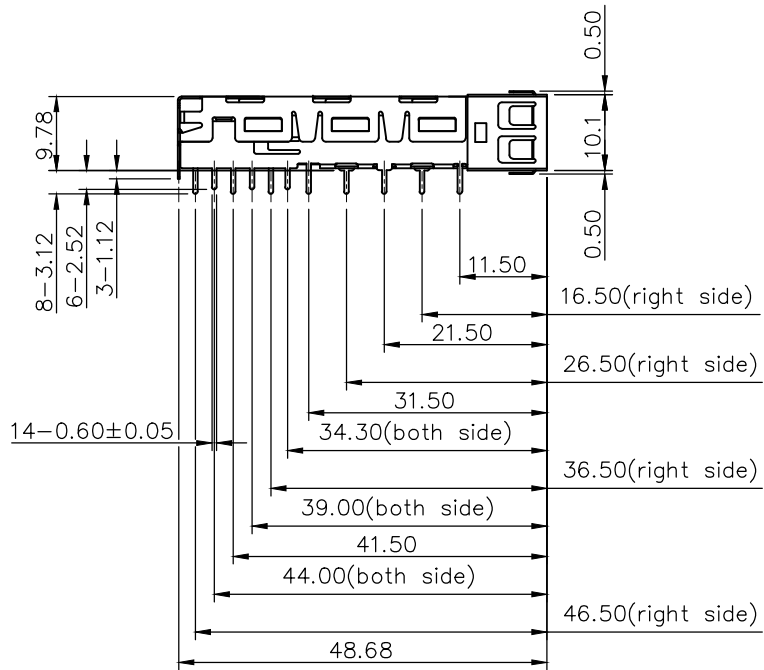
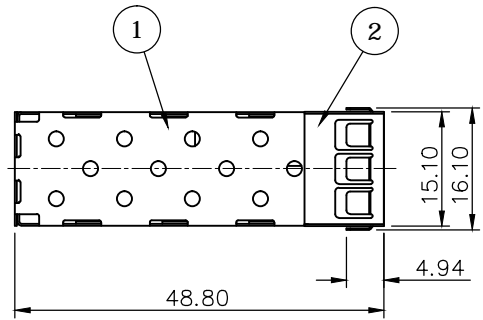
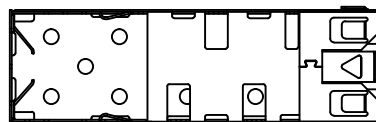
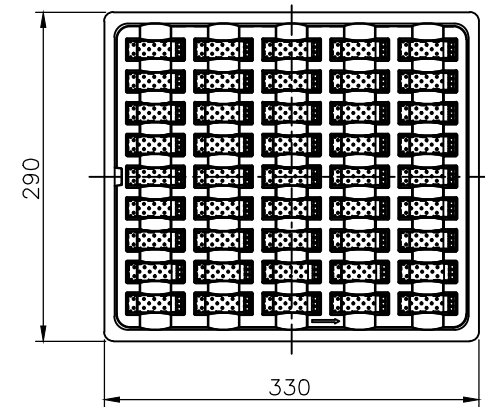


REV.	DESCRIPTION	DRAWN	DATE
1	INITIAL RELEASE	FROS	2016/08/17
2	CHANGE P/N	FROS	2016/10/11



PACKAGING SPECIFICATION:

1. 45pcs/ Vacuum Dish
2. 990pcs/ Carton
3. Vacuum Dish size: 330x290x19mm
4. Carton: 340x300x427mm



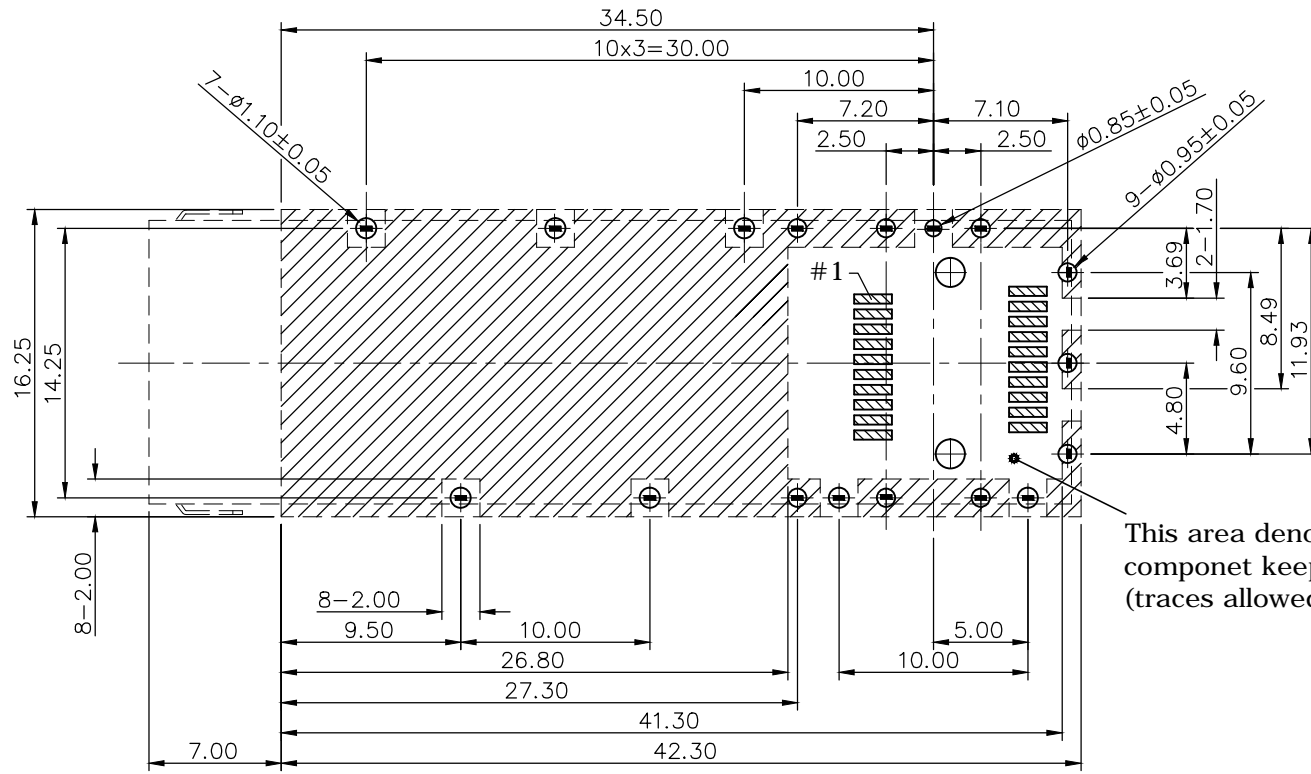
2	EMI CAGE	Stainless Steel	
1	CAGE	Copper Alloy, Nickel Plating	
NO.	PART NAME	DESCRIPTION	
UNLESS OTHERWISE SPECIFIED TOLERANCE			
UNIT:	DECIMAL	LINEAR	ANGLES
	mm	X. ±0.50	±5°
		X.X ±0.25	±3°
		X.XX ±0.12	±1°
DRAWN		Fros	2016/08/17
CHECKED		Amy	2016/08/17
APPROVED		Ken	2016/08/17
SCALE		1/1	SHEET 1/2
SIZE		A4	
DRAWN NAME:		SFP+ Cage 1x1 Through Hole Type	
PRODUCT NO.		223B-1102	
FILE NAME		223B-1102_B_2	

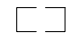
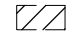



WWW.ATTEND.COM.TW

2/2


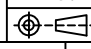
REV.	DESCRIPTION	DRAWN	DATE
	SEE SHEET ONE		



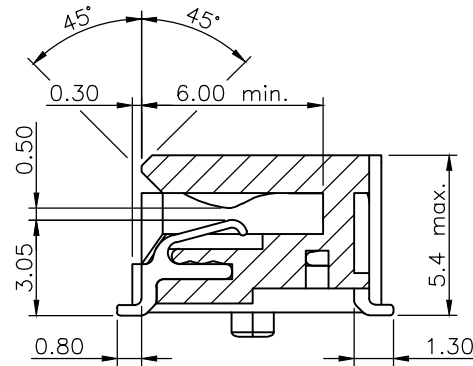
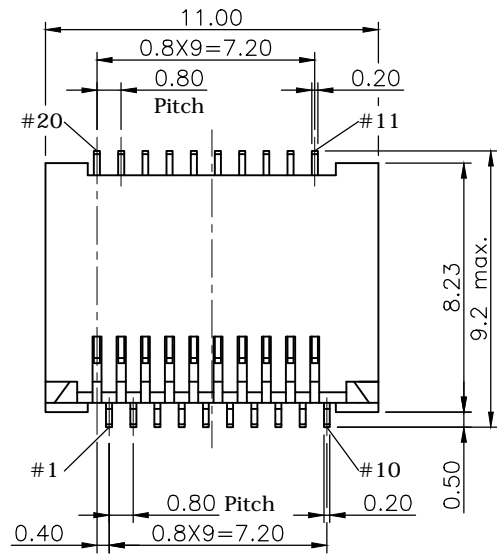
-  Cage Boundary
-  Component and trace keep-out (except chassis ground)
-  Connector PAD

This area denotes component keep-out (traces allowed)

Recommended Layout (top view)
General Tolerance: $\pm 0.05\text{mm}$

UNLESS OTHERWISE SPECIFIED TOLERANCE				 WWW.ATTEND.COM.TW	
UNIT:	DECIMAL	LINEAR	ANGLES		
mm	X.	± 0.50	$\pm 5^\circ$		
	X.X	± 0.25	$\pm 3^\circ$		
	X.XX	± 0.12	$\pm 1^\circ$		
DRAWN	Fros	2016/08/17	DRAWN NAME:		
CHECKED	Amy	2016/08/17	SFP+ Cage 1x1 Through Hole Type		
APPROVED	Ken	2016/08/17	PRODUCT NO.	223B-112B	
	SCALE	SHEET	SIZE	FILE NAME	223B-112B_B_1
	2.5/1	2/2	A4		

REV.	DESCRIPTION	DRAWN	DATE
1	INITIAL RELEASE	FROS	2016/08/17
2	CHANGE P/N	FROS	2016/10/11



SECTION A-A

SPECIFICATION:

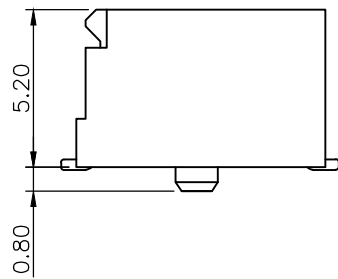
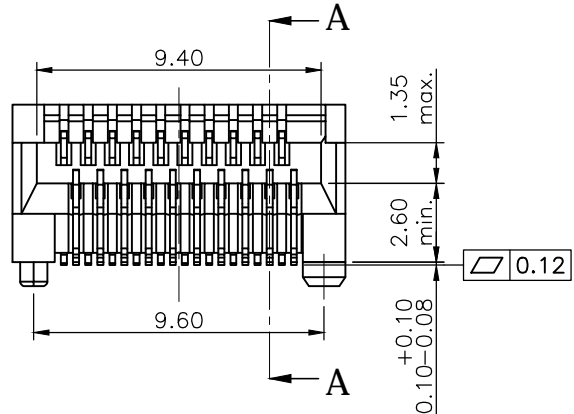
1. ELECTRICAL
 - 1.1 Current Rating: 0.5A MAX.
 - 1.2 Voltage Rating: 30V AC/DC
 - 1.3 Contact Resistance: 20mΩ
 - 1.4 Insulation Resistance: 500MΩ
 - 1.5 Differential Impedance: 100Ω

2. MECHANICAL

- 2.1 MATERIAL:
 - Housing: LCP UL94V-0, Black
 - Contact: Phosphor Bronze, 0.2T
- 2.2 Operating Life : 250 Cycles Min.

3. ENVIRONMENTAL

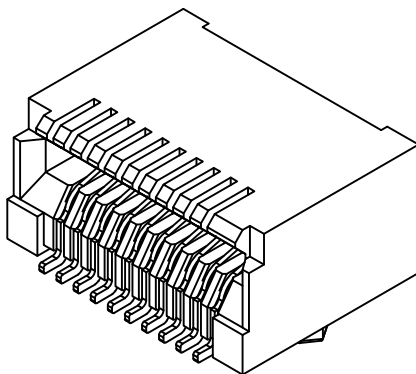
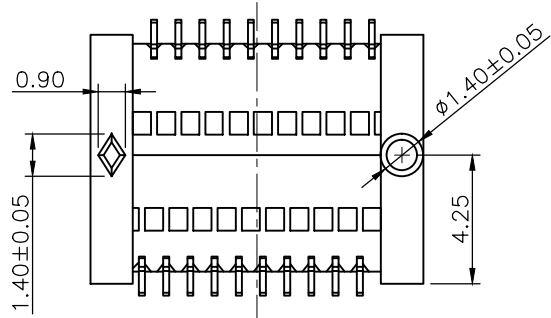
- 3.1 Operating temperature range: -40°C ~ +85°C
- 3.2 Storage temperature range: -40°C ~ +85°C
- 3.3 IR Temperature: 255°C±5°C (5 to 10 sec)




How to order

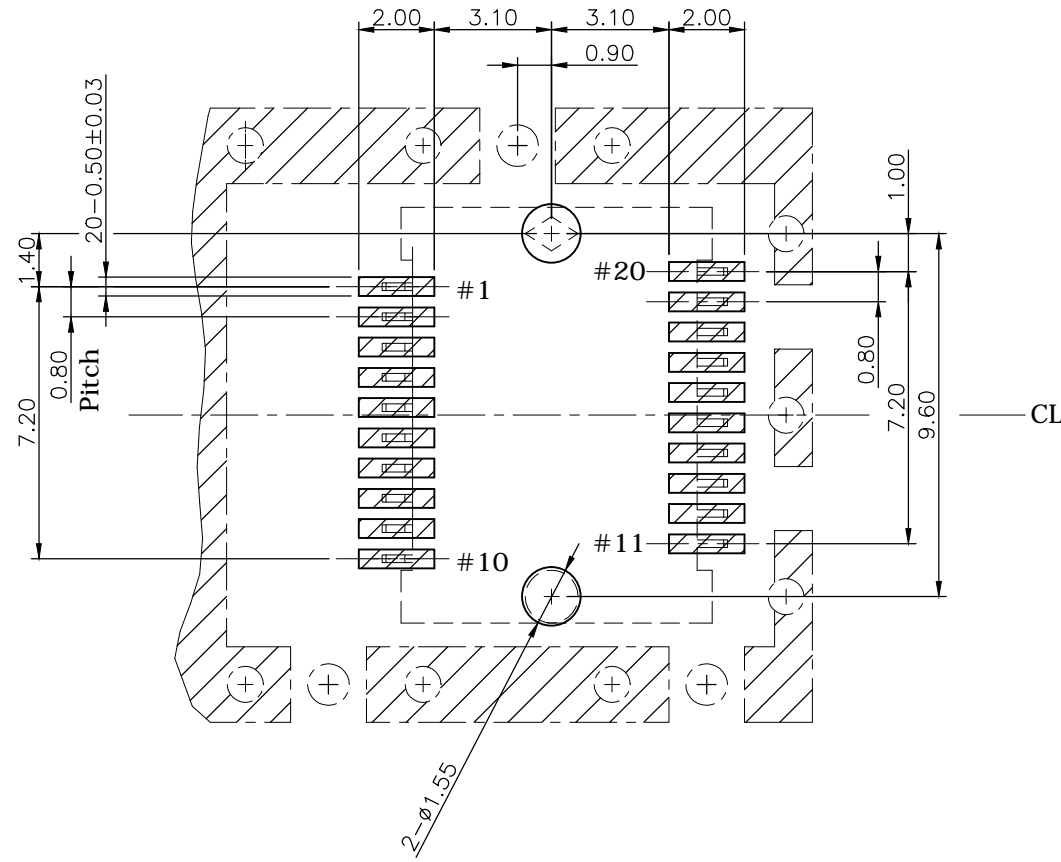
223A- 00 C 0

Connector 5u" Gold plating



UNLESS OTHERWISE SPECIFIED TOLERANCE							
UNIT:	DECIMAL	LINEAR	ANGLES			WWW.ATTEND.COM.TW	
mm	X.	±0.50	±5°	DRAWN: Willis 2009/10/14 CHECKED: Angel 2009/10/14 APPROVED: Ken 2009/10/14 SCALE: 4/1 SHEET: 1/2 SIZE: A4			
	X.X	±0.25	±3°			DRAWN NAME: 1x1 SFP Connector 20Pin	
	X.XX	±0.12	±1°			PRODUCT NO. 223A-00C0	
				FILE NAME	223A-00C0_B_1		

REV.	DESCRIPTION	DRAWN	DATE
	SEE SHEET ONE		



- SFP CONNECTOR
- PAD
- CAGE

RECOMMENDED LAYOUT (TOP VIEW)
GENERAL TOLERANCE: ±0.05mm

UNLESS OTHERWISE SPECIFIED TOLERANCE					
UNIT:	DECIMAL	LINEAR	ANGLES		
mm	X.	±0.50	±5°	WWW.ATTEND.COM.TW	
	X.X	±0.25	±3°		
	X.XX	±0.12	±1°		
DRAWN	Willis	2009/10/14	DRAWN NAME: 1x1 SFP Connector 20Pin		
CHECKED	Angel	2009/10/14			
APPROVED	Ken	2009/10/14	PRODUCT NO.	223A-00C0	2
	SCALE	SHEET	SIZE	FILE NAME	223A-00C0_B_1
	5/1	2/2	A4		2