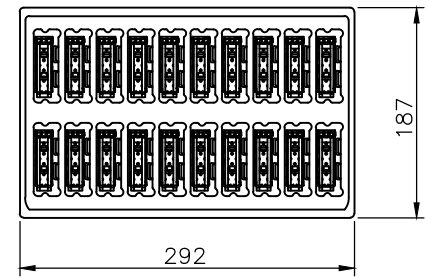
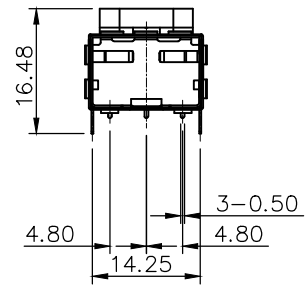
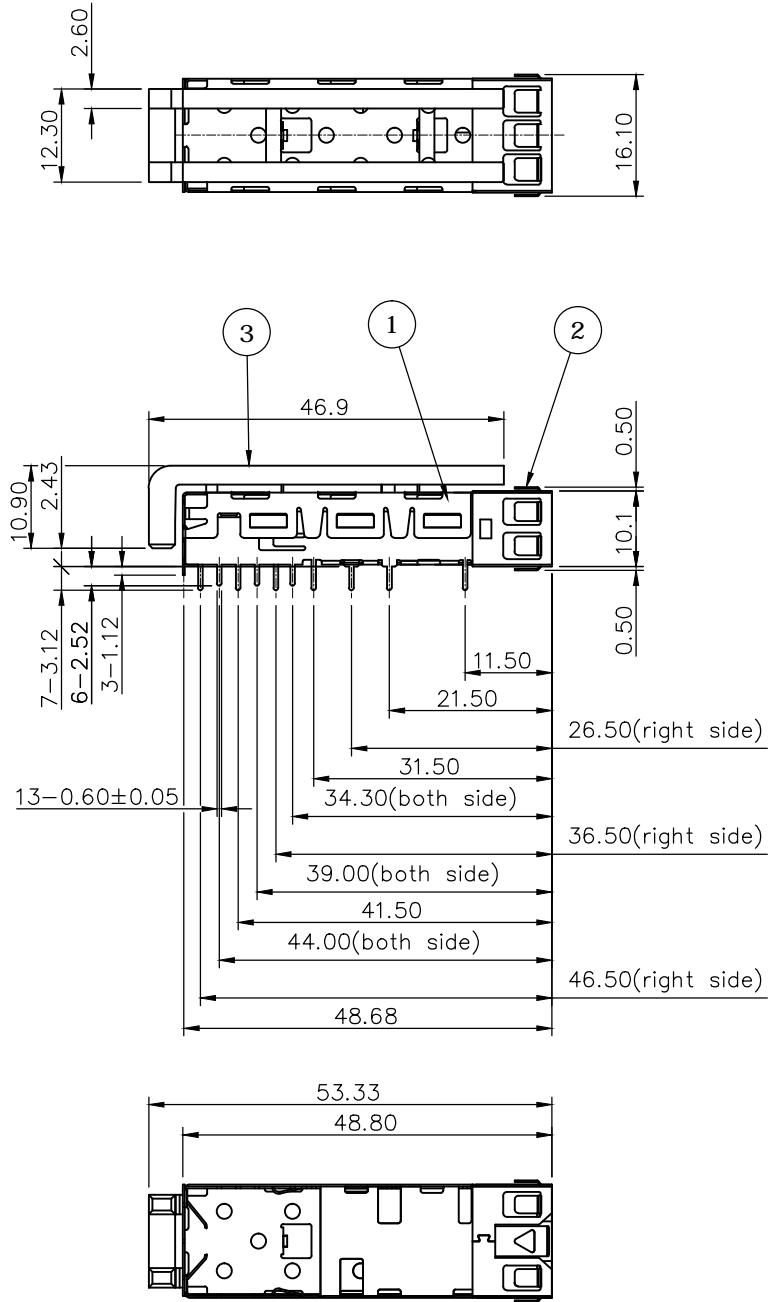


REV.	DESCRIPTION	DRAWN	DATE
1	INITIAL RELEASE	FROS	2016/08/17
2	CHANGE P/N	FROS	2016/10/11

PACKAGING SPECIFICATION:

- 20pcs/ Vacuum Dish
- 560pcs/ Carton
- Vacuum Dish size: 292x187x18mm
- Carton: 380x315x290mm

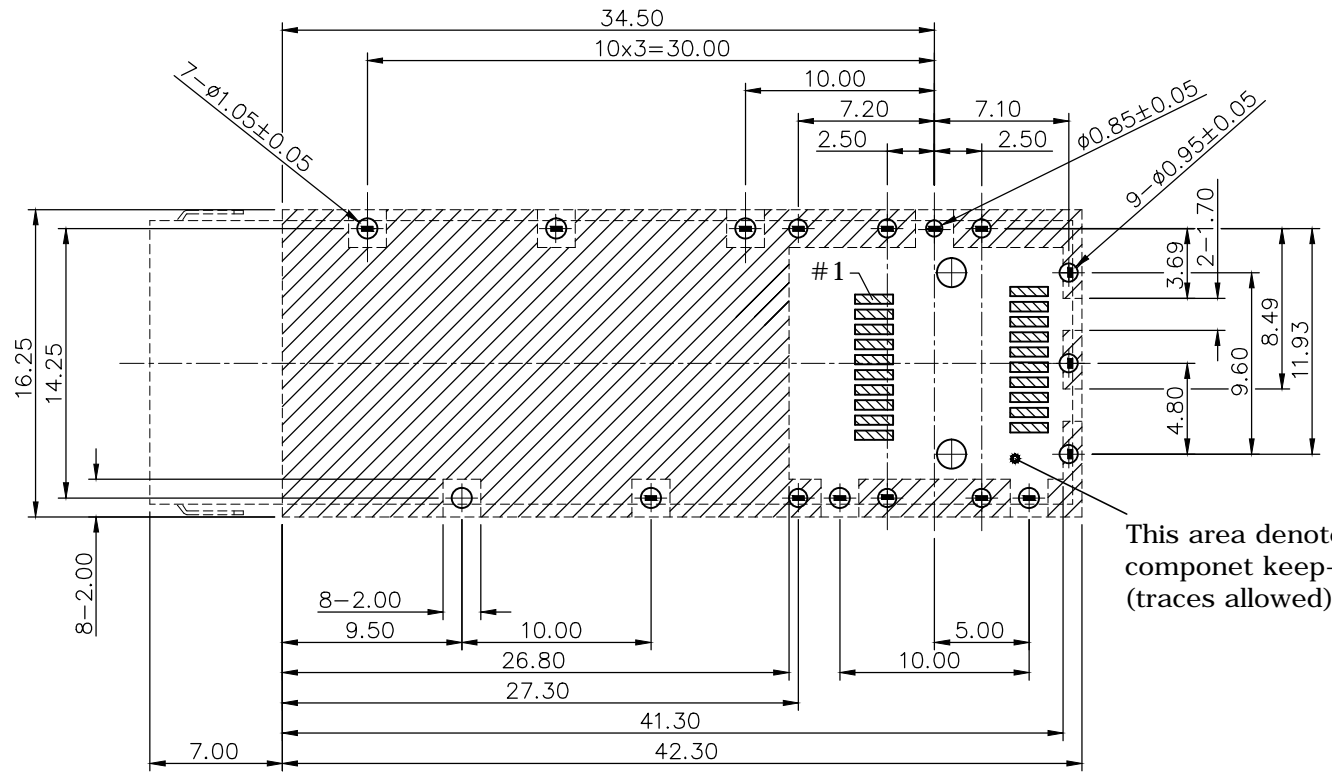


3	LIGHT PIPE	PC	
2	EMI CAGE	Stainless Steel	
1	CAGE	Copper Alloy, Nickel Plating	
NO.	PART NAME	DESCRIPTION	
UNLESS OTHERWISE SPECIFIED TOLERANCE			
UNIT:	DECIMAL	LINEAR	ANGLES
mm	X.	±0.50	±5°
	X.X	±0.25	±3°
	X.XX	±0.12	±1°
DRAWN		Fros	2016/08/17
CHECKED		Tim	2016/08/17
APPROVED		Ken	2016/08/17
SCALE		1/1	SHEET 1/2
SIZE		A4	FILE NAME
DRAWN NAME:		SFP+ Cage	
CHECKED		1x1 Through Hole Type w/Light Pipe	
APPROVED		PRODUCT NO. 223B-1106	
SCALE		FILE NAME 223B-1106_B_2	



WWW.ATTEND.COM.TW


REV.	DESCRIPTION	DRAWN	DATE
	SEE SHEET ONE		



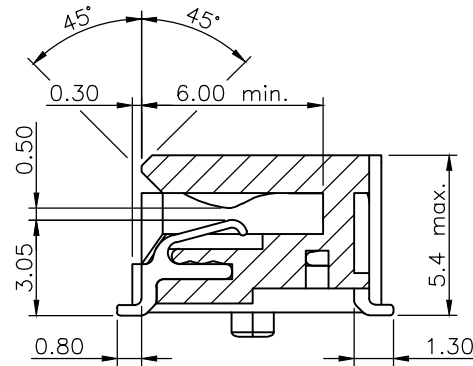
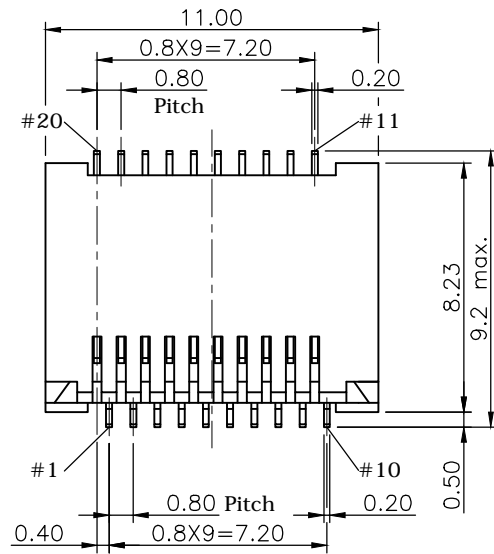
- Cage Boundary
- Component and trace keep-out (except chassis ground)
- Connector PAD

This area denotes component keep-out (traces allowed)

Recommended Layout (top view)
General Tolerance: ±0.05mm

UNLESS OTHERWISE SPECIFIED TOLERANCE				 WWW.ATTEND.COM.TW			
UNIT:	DECIMAL	LINEAR	ANGLES				
mm	X.	±0.50	±5°				
	X.X	±0.25	±3°				
	X.XX	±0.12	±1°				
DRAWN	Fros	2016/08/17	DRAWN NAME:				
CHECKED	Tim	2016/08/17	SFP+ Cage 1x1 Through Hole Type w/Light Pipe				
APPROVED	Ken	2016/08/17	PRODUCT NO. 223B-1106				
	SCALE 2.5/1	SHEET 2/2	SIZE A4	FILE NAME 223B-1106_B_2			

REV.	DESCRIPTION	DRAWN	DATE
1	INITIAL RELEASE	FROS	2016/08/17
2	CHANGE P/N	FROS	2016/10/11



SECTION A-A

SPECIFICATION:

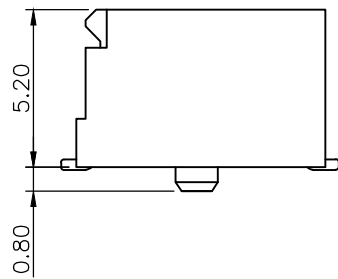
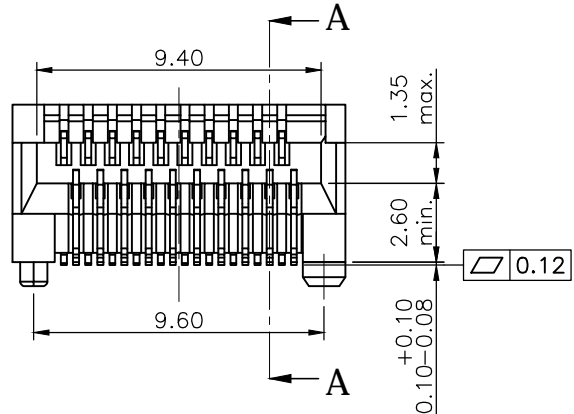
1. ELECTRICAL
 - 1.1 Current Rating: 0.5A MAX.
 - 1.2 Voltage Rating: 30V AC/DC
 - 1.3 Contact Resistance: 20mΩ
 - 1.4 Insulation Resistance: 500MΩ
 - 1.5 Differential Impedance: 100Ω

2. MECHANICAL

- 2.1 MATERIAL:
 - Housing: LCP UL94V-0, Black
 - Contact: Phosphor Bronze, 0.2T
- 2.2 Operating Life : 250 Cycles Min.

3. ENVIRONMENTAL

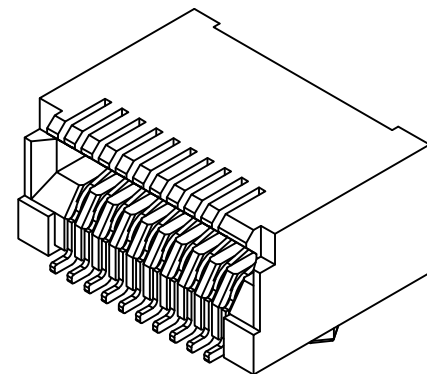
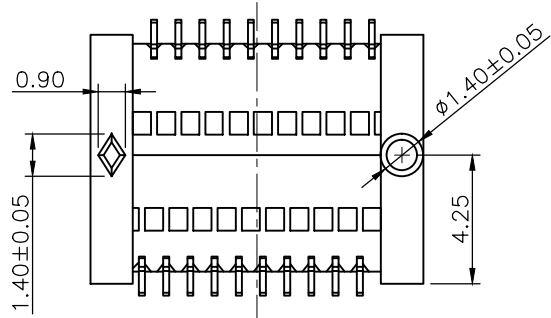
- 3.1 Operating temperature range: -40°C ~ +85°C
- 3.2 Storage temperature range: -40°C ~ +85°C
- 3.3 IR Temperature: 255°C±5°C (5 to 10 sec)




How to order

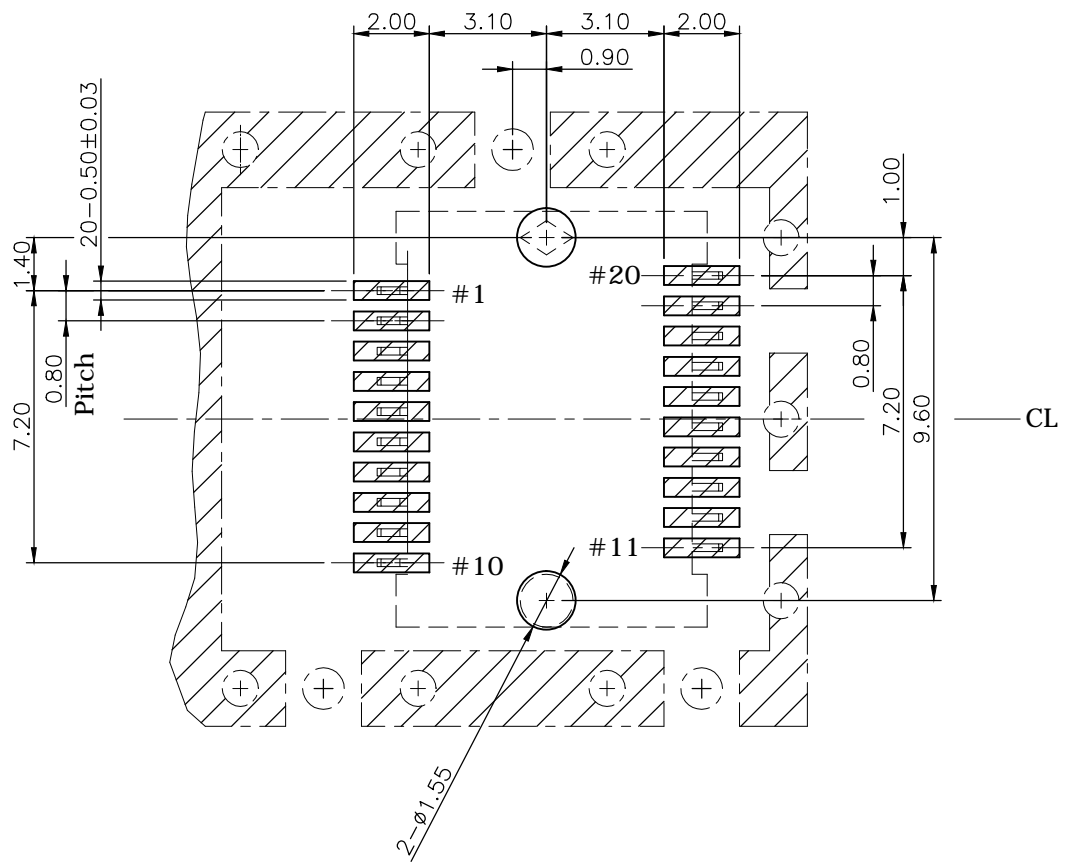
223A- 00 C 0

Connector 5u" Gold plating




UNLESS OTHERWISE SPECIFIED TOLERANCE					
UNIT:	DECIMAL	LINEAR	ANGLES		
mm	X.	±0.50	±5°	WWW.ATTEND.COM.TW	
	X.X	±0.25	±3°		
	X.XX	±0.12	±1°		
DRAWN	Willis	2009/10/14	DRAWN NAME: 1x1 SFP Connector 20Pin		
CHECKED	Angel	2009/10/14			
APPROVED	Ken	2009/10/14	PRODUCT NO.	223A-00C0	
SCALE	4/1	SHEET	1/2	SIZE	A4
			FILE NAME	223A-00C0_B_1	

REV.	DESCRIPTION	DRAWN	DATE
	SEE SHEET ONE		



- SFP CONNECTOR
- PAD
- CAGE

RECOMMENDED LAYOUT (TOP VIEW)
GENERAL TOLERANCE: ±0.05mm

UNLESS OTHERWISE SPECIFIED TOLERANCE				 WWW.ATTEND.COM.TW
UNIT:	DECIMAL	LINEAR	ANGLES	
mm	X.	±0.50	±5°	
	X.X	±0.25	±3°	
	X.XX	±0.12	±1°	
DRAWN	Willis	2009/10/14	DRAWN NAME:	
CHECKED	Angel	2009/10/14	1x1 SFP Connector 20Pin	
APPROVED	Ken	2009/10/14	PRODUCT NO. 223A-00C0	
	SCALE 5/1	SHEET 2/2	SIZE A4	FILE NAME 223A-00C0_B_1