

Description

General

The transceiver from ATTEND is small form factor pluggable module for serial optical data Communications applications specify of Gigabit Ethernet IEEE802.3z/D5 and Fiber Channel. This module is designed for single-mode-fiber (SMF) with cost effective and high performance by using 1310 nm transmitter and 1550 nm receiver. It is with the SFP 20-pin connector to allow hot plug capability.

Transmitter Section

The transmitter consists of a high-performance 1310 nm Fabry-Perot (FP) laser or 1550 nm MQW DFB structure laser in the optical subassembly (OSA), which is housed within a metal package. In addition, this component is also class 1 laser compliant with according to International Safety Standard IEC-825 Compliant. Complies with EN60825-1 and FDA 21 CFR 1040.10 and 1040.11

Receiver Section

The receiver contain of an InGaAs PIN photodiode coupled to a high sensitivity transimpedance amplifier (TIA) in an OSA. This OSA combination is mated to a post amplifier IC that provides the post amplification and SD (Signal Detection) or LOS (Loss of Signal) indication circuit, which provides logic low state output when an unusable input optical signal level is detected.

Features

- Single +3.3V Power Supply
- Differential Inputs and Outputs
- Small Form Factor Pluggable MSA Compliant.
- Compliant with IEEE-802.3z & SONET / SDH Standard
- Class 1 Laser International Safety Standard IEC 825 Compliant. Complies with EN60825-1 and FDA 21 CFR 1040.10 and 1040.11
- Commercial Operation Temp.: 0 °C to +70 °C
- Bi-directional Linking Distance Up to 10 km.
- RoHS Compliant

Applications

- Bridges/Routers/intelligent hub and concentrators
- Gigabit Ethernet / Fiber Channel
- Storage Area Network



Product Information

Model Number	Descriptions
224B-BC010-00	LC Optical Interface, 3.3V, w/o DDM, 0~70 °C

Performance Specifications

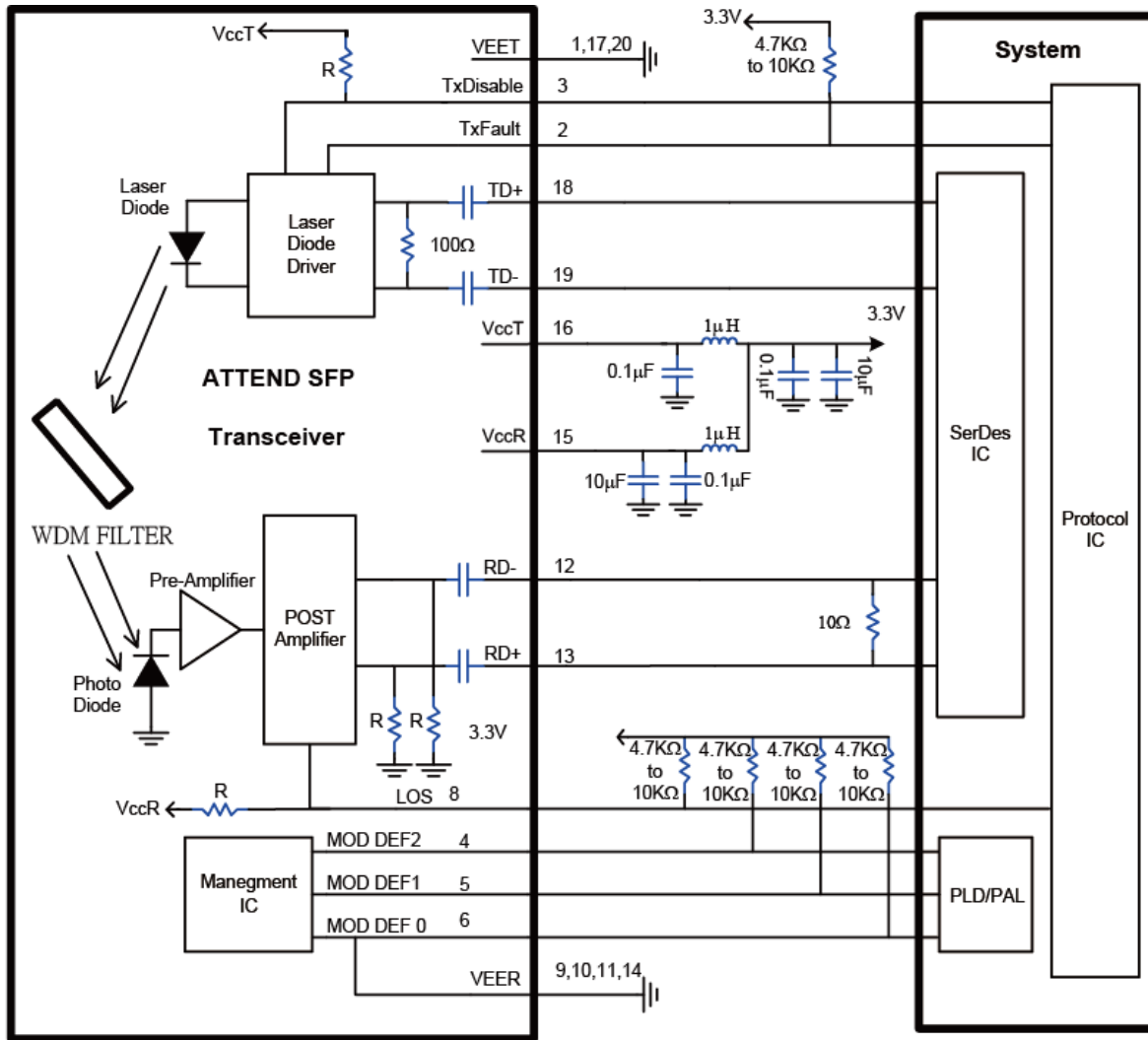
Absolute Maximum Ratings					
Parameter	Symbol	Min	Typ	Max	Unit
Supply Voltage	V_{CC}	0	-	4	V
Storage Temperature	T_S	-40	-	85	°C
Operating Temperature	T_{OP-com}	0	-	70	°C
General Specifications					
Parameter	Symbol	Min	Typ	Max	Units
Data Rate	B	0.80	1.25	1.50	Gbps
Supported Link Length on 9/125 μ m SMF	L	10	-	-	Km
Supply Current	$I_{Tx}+I_{Rx}$	-	-	300	mA
Power Dissipation	P_{Dis}	-	-	1000	mW

Optical and Electrical Characteristics

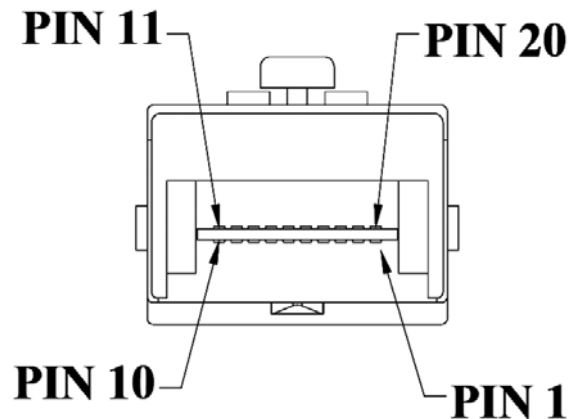
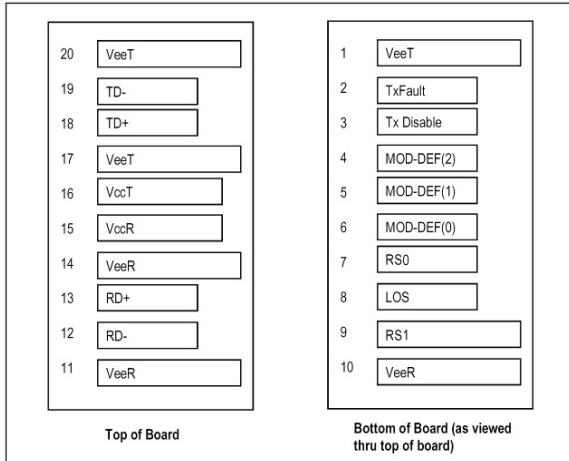
Transmitter Electrical Characteristics						
Parameter	Symbol	Min	Typ	Max	Unit	
Supply Voltage	V_{CC}	3.15	3.3	3.45	V	
Data Differential Input Voltage	$V_{in, pp}$	400	-	2000	mV	
Disable Input Voltage	$V_{IL} - V_{CC}$	-1.81	-	-1.48	V	
Enable Input Voltage	$V_{IH} - V_{CC}$	-1.16	-	-0.88	V	
TX Fault Voltage-High (Fault)	V_{TF}	2.0	-	V_{CC}	V	
TX Fault Voltage-Low (Normal)	V_{TN}	0	-	0.8	V	
Transmitter Optical Characteristics						
Parameter	Symbol	Min	Typ	Max	Unit	
Output Optical Power on 9 μ m SMF	P_O	-9	-	-3	dBm	
Center Wavelength	for 224B-BB10	1280	1310	1340	nm	
	for 224B-BC10	1510	1550	1570	nm	
Side Mode Suppression Ratio	for 224B-BC10	SMSR	30	-	dB	
Spectral Width (-20dB)	for 224B-BC10	$\Delta\lambda_{20dB}$	-	-	1	nm
Spectral Width (RMS)	for 224B-BB10	$\Delta\lambda_{RMS}$	-	-	2	nm
Optical Rise Time (20%-80%)	t_r	-	-	0.26	ns	
Optical Fall Time (20%-80%)	t_f	-	-	0.26	ns	
Extinction Ratio	ER	8.2	-	-	dB	
P _{Out} @TX Disable Asserted	P_{OFF}	-	-	-45	dBm	

Receiver Electrical Characteristics						
Parameter	Symbol	Min	Typ	Max	Unit	
Supply Voltage	V_{CC}	3.15	3.3	3.45	V	
Data Differential Output Voltage	$V_{out, pp}$	500	-	1200	mV	
Receiver LOS/SD Output Voltage-High	V_{RH}	2.0	-	V_{CC}	V	
Receiver LOS/SD Output Voltage-Low	V_{RL}	0	-	0.8	V	
Data Output Rise Time (20%-80%)	t_r	-	-	0.35	ns	
Data Output Fall Time (20%-80%)	t_f	-	-	0.35	ns	
Receiver Optical Characteristics						
Parameter	Symbol	Min	Typ	Max	Unit	
Maximum Receiver Power	P_{In}	-3	-	-	dBm	
Receiver Sensitivity	P_S	-	-	-23	dBm	
Operating Wavelength	for 224B-BB10	λ_C	1480	-	1600	nm
	for 224B-BC10		1250	-	1380	nm
Optical Return Loss	P_R	-	-	12	dB	
Signal Detect-Asserted	P_A	-	-	-21	dBm avg.	
Signal Detect-Deasserted	P_D	-36	-	-	dBm avg.	
Signal Detect-Hysteresis	P_A-P_D	0.5	-	-	dB	

Recommended Circuit Schematic



SFP Transceiver Electrical Pad Layout



Pinout Table

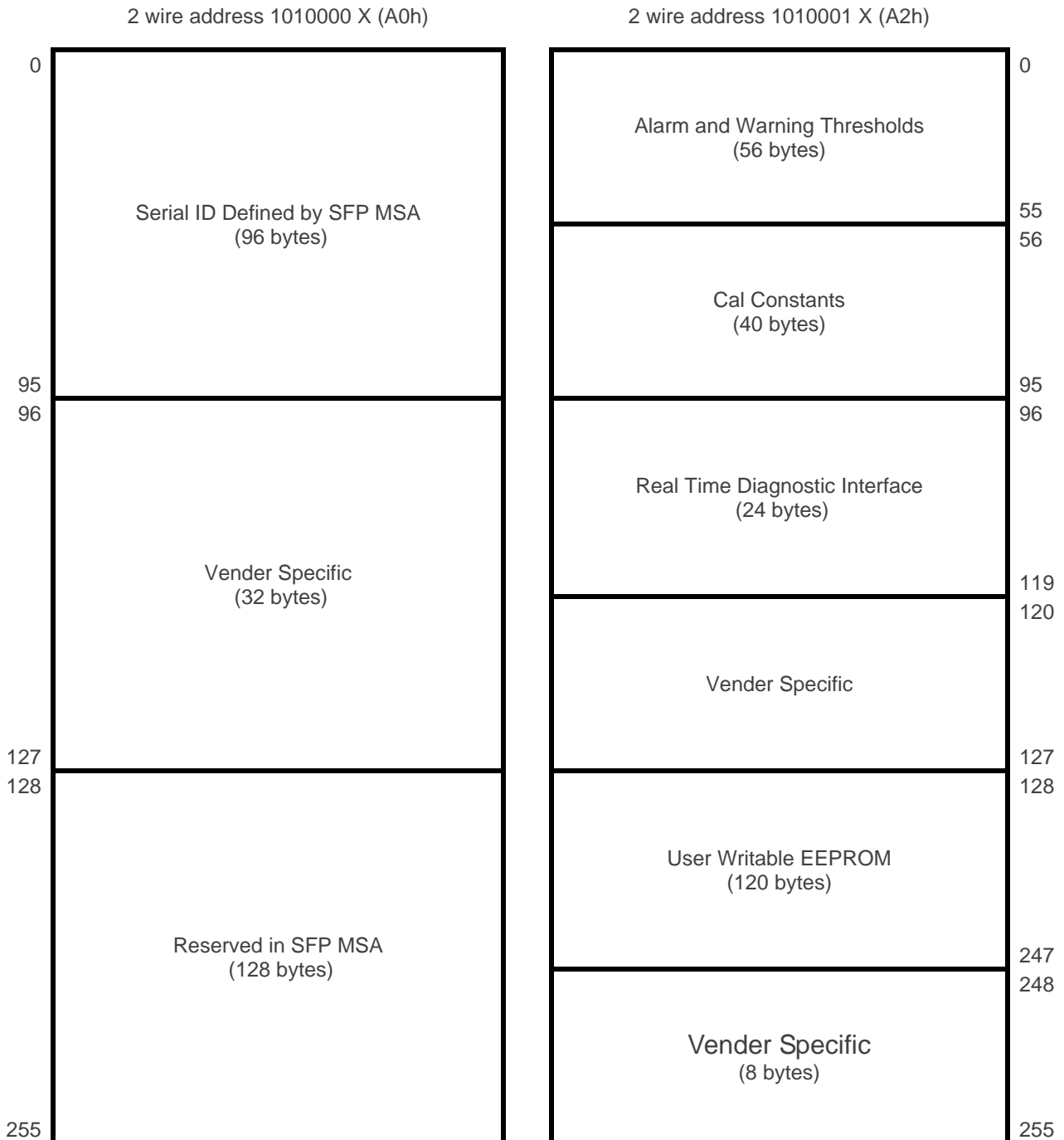
Pin	Symbol	Name/Description	Ref.
1	V_{EET}		
2	T_{FAULT}	Transmitter Fault.	3
3	T_{DIS}	Transmitter Disable. Laser output disabled on high or open.	1
4	MOD_DEF (2)	Module Definition 2. Data line (SDA) for Serial ID.	2
5	MOD_DEF (1)	Module Definition 1. Clock line (SCL) for Serial ID.	2
6	MOD_DEF (0)	Module Definition 0. Grounded within the module.	2
7	Rate Select	Open Circuit	
8	LOS	Loss of Signal indication. Logic 0 indicates normal operation.	3
9	V_{EER}	Receiver Ground	
10	V_{EER}	Receiver Ground	
11	V_{EER}	Receiver Ground	
12	RD-	Receiver Inverted DATA out. AC Coupled	
13	RD+	Receiver Non-inverted DATA out. AC Coupled	
14	V_{EER}	Receiver Ground	
15	V_{CCR}	Receiver Power Supply	
16	V_{CCT}	Transmitter Power Supply	
17	V_{EET}	Transmitter Ground	
18	TD+	Transmitter Non-Inverted DATA in.100 ohm termination between TD+ and TD-, AC Coupled thereafter.	
19	TD-	Transmitter Inverted DATA in. See TD+	
20	V_{EET}	Transmitter Ground	

Notes:

- Laser output disabled on $T_{DIS} > 2.0V$ or open, enabled on $T_{DIS} < 0.8V$.
- Should be pulled up with 4.7k – 10kohms on host board to a voltage between 2.0V and 5.5V. MOD_DEF (0) pulls line low to indicate module is plugged in.
- TX-Fault and LOS are open collector output. Should be pulled up with 4.7k – 10k ohms on host board to a voltage between 2.0V and 5.5V.

Memory map

The memory map in the following describes an extension to the memory map defined in SFP MSA. The enhanced interface uses the two wire serial bus address 1010001X(A2h) to provide diagnostic information about the module's present operating conditions.



2 Wire Address (A0h, interface ID: Data Fields)

Address	Bytes	Name	Description
BASE ID FIELDS			
0	1	Identifier	Type of transceiver
1	1	Ext. Identifier	Extended identifier of type of transceiver
2	1	Connector	Code for connector type
3-10	8	Transceiver	Code for electronic or optical compatibility
11	1	Encoding	Code for high speed serial encoding algorithm
12	1	BR, Nominal	Nominal signal rate, units of 100MBd.
13	1	Rate Identifier	Type of rate select functionality
14	1	Length(SMF,km)	Link length supported for single mode fiber, units of km
15	1	Length (SMF)	Link length supported for single mode fiber, units of 100 m
16	1	Length (50μm)	Link length supported for 50 μm OM2 fiber, units of 10 m
17	1	Length (62.5μm)	Link length supported for 62.5 μm OM1 fiber, units of 10 m
18	1	Length (cable)	Link length supported for copper or direct attach cable, units of m
19	1	Length (OM3)	Link length supported for 50 μm OM3 fiber, units of 10 m
20-35	16	Vendor name	SFP vendor name (ASCII)
36	1	Transceiver	Code for electronic or optical compatibility
37-39	3	Vendor OUI	SFP vendor IEEE company ID
40-55	16	Vendor PN	Part number provided by SFP vendor (ASCII)
56-59	4	Vendor rev	Revision level for part number provided by vendor (ASCII)
60-61	2	Wavelength	Laser wavelength (Passive/Active Cable Specification Compliance)
62	1	Unallocated	
63	1	CC_BASE	Check code for Base ID Fields (addresses 0 to 62)
EXTENDED ID FIELDS			
64-65	2	Options	Indicates which optional transceiver signals are implemented
66	1	BR, max	Upper bit rate margin, units of %
67	1	BR, min	Lower bit rate margin, units of %
68-83	16	Vendor SN	Serial number provided by vendor (ASCII)
84-91	8	Date code	Vendor's manufacturing date code
92	1	Diagnostic Monitoring Type	Indicates which type of diagnostic monitoring is implemented (if any) in the transceiver
93	1	Enhanced Options	Indicates which optional enhanced features are implemented (if any) in the transceiver
94	1	SFF-8472 Compliance	Indicates which revision of SFF-8472 the transceiver complies with.
95	1	CC_EXT	Check code for the Extended ID Fields (addresses 64 to 94)

VENDOR SPECIFIC ID FIELDS

96-127	32	Vendor Specific	Vendor Specific EEPROM
128-255	128	Reserved	Reserved for SFF-8079

2 Wire Address (A2h, Digital Diagnostic Monitoring Interface)
Alarm and Warning Thresholds

Address	Bytes	Name
00-01	2	Temp High Alarm Thresholds
02-03	2	Temp Low Alarm Thresholds
04-05	2	Temp High Warning Thresholds
06-07	2	Temp Low Warning Thresholds
08-09	2	Voltage High Alarm Thresholds
10-11	2	Voltage Low Alarm Thresholds
12-13	2	Voltage High Warning Thresholds
14-15	2	Voltage Low Warning Thresholds
16-17	2	Bias High Alarm Thresholds
18-19	2	Bias Low Alarm Thresholds
20-21	2	Bias High Warning Thresholds
22-23	2	Bias Low Warning Thresholds
24-25	2	TX Power High Alarm Thresholds
26-27	2	TX Power Low Alarm Thresholds
28-29	2	TX Power High Warning Thresholds
30-31	2	TX Power Low Warning Thresholds
32-33	2	RX Power High Alarm Thresholds
34-35	2	RX Power Low Alarm Thresholds
36-37	2	RX Power High Warning Thresholds
38-39	2	RX Power Low Warning Thresholds
40-55	16	Reserved

Calibration constants (2 Wire Address A2h)

Address	Bytes	Name	Description
56-59	4	Rx_PWR(4)	Rx_PWR(4) is set to zero for "internally calibrated" devices.
60-63	4	Rx_PWR(3)	Rx_PWR(3) is set to zero for "internally calibrated" devices.
64-67	4	Rx_PWR(2)	Rx_PWR(2) is set to zero for "internally calibrated" devices.
68-71	4	Rx_PWR(1)	Rx_PWR(1) is set to 1 for "internally calibrated" devices.
72-75	4	Rx_PWR(0)	Rx_PWR(0) is set to zero for "internally calibrated" devices.
76-77	2	Tx_I(Slope)	Tx_I(Slope) is set to 1 for "internally calibrated" devices.
78-79	2	Tx_I(Offset)	Tx_I(Offset) is set to zero for "internally calibrated" devices.

80-81	2	Tx_PWR(Slope)	Tx_PWR(Slope) is set to 1 for "internally calibrated" devices.
82-83	2	Tx_PWR(Offset)	Tx_PWR(Offset) is set to zero for "internally calibrated" devices.
84-85	2	T (Slope)	T(Slope) is set to 1 for "internally calibrated" devices.
86-87	2	T (Offset)	T(Offset) is set to zero for "internally calibrated" devices.
88-89	2	V (Slope)	V(Slope) is set to 1 for "internally calibrated" devices.
90-91	2	V (Offset)	V(Offset) is set to zero for "internally calibrated" devices.
92-94	3	Reserved	Reserved
95	1	Checksum	Byte 95 contains the low order 8 bits of the sum of bytes 0 – 94.

Digital Monitoring Values (2 Wire Address A2h)

The digital value conversions are updated every 13ms (nominal) or 20ms (max) in rotation. After getting digital value, each measurement could be obtained by multiplying digital value by corresponding LSB value:

Temperature (Signed twos complement value)

A2h Byte 96 (Temperature MSB)							A2h Byte 97 (Temperature LSB)								
S	2 ⁶	2 ⁵	2 ⁴	2 ³	2 ²	2 ¹	2 ⁰	2 ⁻¹	2 ⁻²	2 ⁻³	2 ⁻⁴	2 ⁻⁵	2 ⁻⁶	2 ⁻⁷	2 ⁻⁸

$$\text{Temperature} = \text{Temp (digital monitoring value)} \times \text{LSB}_{\text{Temp}} = \text{Temp (digital monitoring value)} \times \frac{1}{256}$$

V_{cc}, TX Bias, TX Power, RX Power (Unsigned values)

A2h Byte 98 (V _{cc} MSB)							A2h Byte 99 (V _{cc} LSB)								
A2h Byte 100 (TX Bias MSB)							A2h Byte 101 (TX Bias LSB)								
A2h Byte 102 (TX Power MSB)							A2h Byte 103 (TX Power LSB)								
A2h Byte 104 (RX Power MSB)							A2h Byte 105 (RX Power LSB)								
2 ¹⁵	2 ¹⁴	2 ¹³	2 ¹²	2 ¹¹	2 ¹⁰	2 ⁹	2 ⁸	2 ⁷	2 ⁶	2 ⁵	2 ⁴	2 ³	2 ²	2 ¹	2 ⁰

$$V_{cc} = V_{cc}(\text{digital monitoring value}) \times \text{LSB}_{V_{cc}} = V_{cc}(\text{digital monitoring value}) \times 100\mu\text{V}$$

$$\text{TX Bias Current} = \text{TX Bias Current (Digital Value)} \times \text{LSB}_{\text{TX,Bias}} = \text{TX Bias Current (Digital Value)} \times 2\mu\text{A}$$

$$\text{TX Power} = \text{TX Power (Digital Value)} \times \text{LSB}_{\text{TXPower}} = \text{TX Power (Digital Value)} \times 0.1\mu\text{W}$$

$$\text{RX Power} = \text{RX Power (Digital Value)} \times \text{LSB}_{\text{RXPower}} = \text{RX Power (Digital Value)} \times 0.1\mu\text{W}$$

Digital Diagnostic Monitor Accuracy

Parameter	Typical Value	Note
Transceiver Temperature	± 3°C	T _{OP-min} ~ T _{OP-max}
Power Supply Voltage	± 3%	V _{CC}
TX Bias Current	± 10%	
TX Optical Power	± 3dB	P _{O-min} ~ P _{O-max}
RX Optical Power	± 3dB	P _S ~ P _{in}

Status Bits (2 Wire Address A2h)

Address	Bit	Name	Description
110	7	TX Disable State	Digital state of the TX Disable Input Pin.
110	6	Soft TX Disable	Not implement.

110	5	Reserved	
110	4	RX Rate Select State	Not implement.
110	3	Soft RX Rate Select	Not implement.
110	2	TX Fault	Digital state of the TX Fault Output Pin.
110	1	LOS	Digital state of the LOS Output Pin.
110	0	Data_Ready_Bar	

Alarm and Warning Flag Bits (2 Wire Address A2h)

Address	Bit	Name	Description
112	7	Temp High Alarm	Set when internal temperature exceeds high alarm level.
112	6	Temp Low Alarm	Set when internal temperature is below low alarm level.
112	5	Vcc High Alarm	Set when internal supply voltage exceeds high alarm level.
112	4	Vcc Low Alarm	Set when internal supply voltage is below low alarm level.
112	3	TX Bias High Alarm	Set when TX Bias current exceeds high alarm level.
112	2	TX Bias Low Alarm	Set when TX Bias current is below low alarm level.
112	1	TX Power High Alarm	Set when TX output power exceeds high alarm level.
112	0	TX Power Low Alarm	Set when TX output power is below low alarm level.
113	7	RX Power High Alarm	Set when Received Power exceeds high alarm level.
113	6	RX Power Low Alarm	Set when Received Power is below low alarm level.
113	5-0	Reserved Alarm	
114	All	Reserved	
115	All	Reserved	
116	7	Temp High Warning	Set when internal temperature exceeds high warning level.
116	6	Temp Low Warning	Set when internal temperature is below low warning level.
116	5	Vcc High Warning	Set when internal supply voltage exceeds high warning level.
116	4	Vcc Low Warning	Set when internal supply voltage is below low warning level.
116	3	TX Bias High Warning	Set when TX Bias current exceeds high warning level.
116	2	TX Bias Low Warning	Set when TX Bias current is below low warning level.
116	1	TX Power High Warning	Set when TX output power exceeds high warning level.
116	0	TX Power Low Warning	Set when TX output power is below low warning level.
117	7	RX Power High Warning	Set when Received Power exceeds high warning level.
117	6	RX Power Low Warning	Set when Received Power is below low warning level.
117	5-0	Reserved Warning	
118	All	Reserved	
119	All	Reserved	

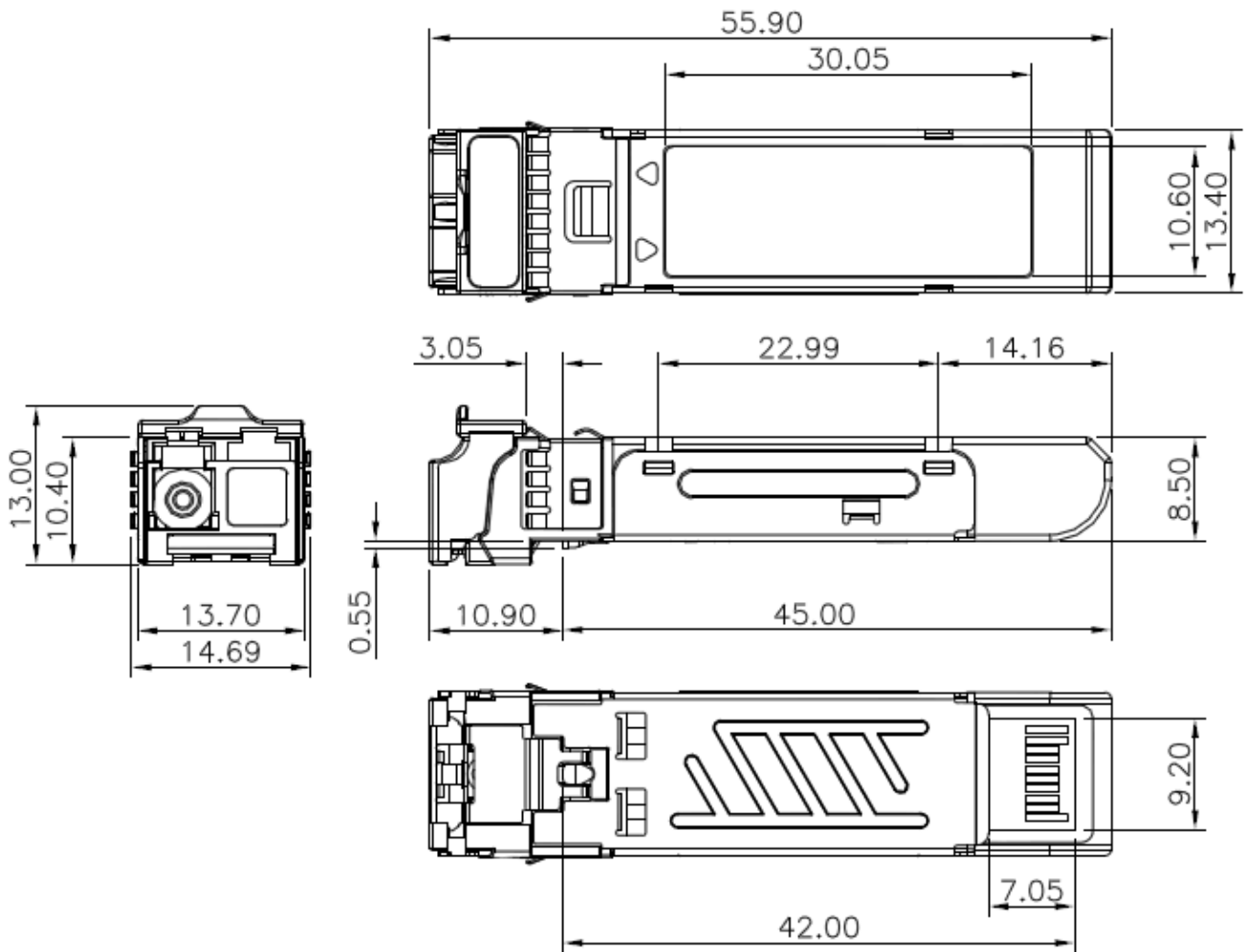


ATTEND
Connect to Your Success

SFP Bi-Di 1.25Gbps Single-Mode Transceiver
224B-BC010-00
T:1550nm-DFB/R:1310nm-PIN 10km
Rev. 1.0

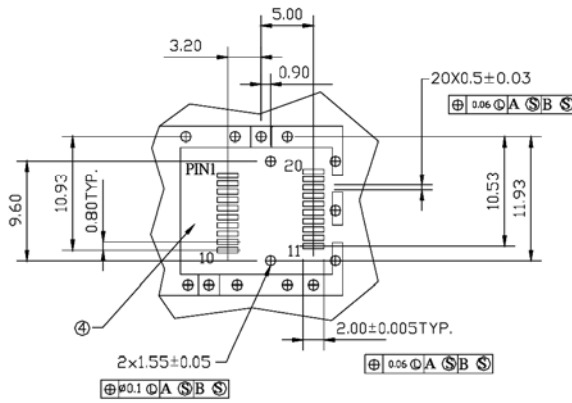
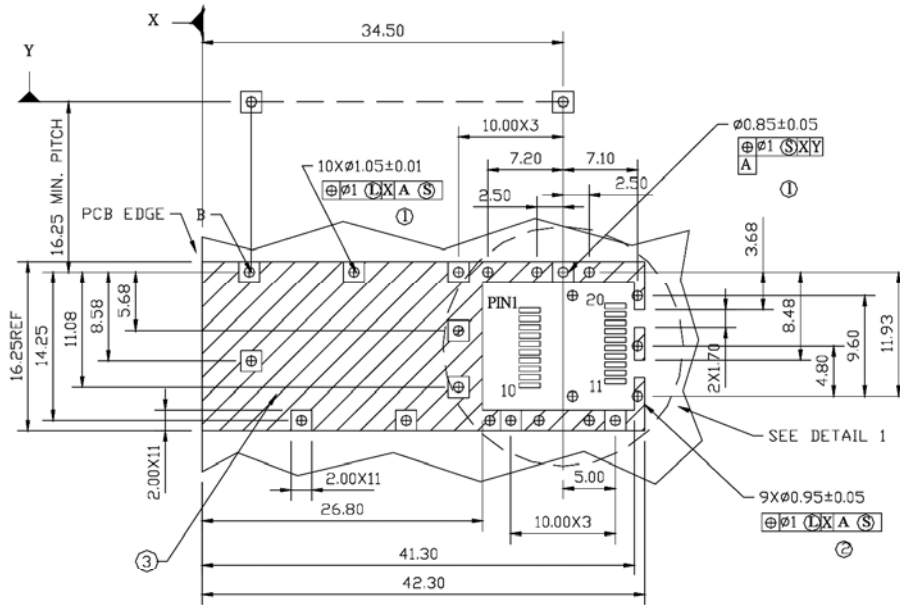
Package Outline Drawing

DIMENSIONS ARE IN MILLIMETERS (unit:mm)
TOLERANCES UNLESS OTHERWISE SPECIFIED : +/-0.2mm





SFP Host Board Mechanical Layout



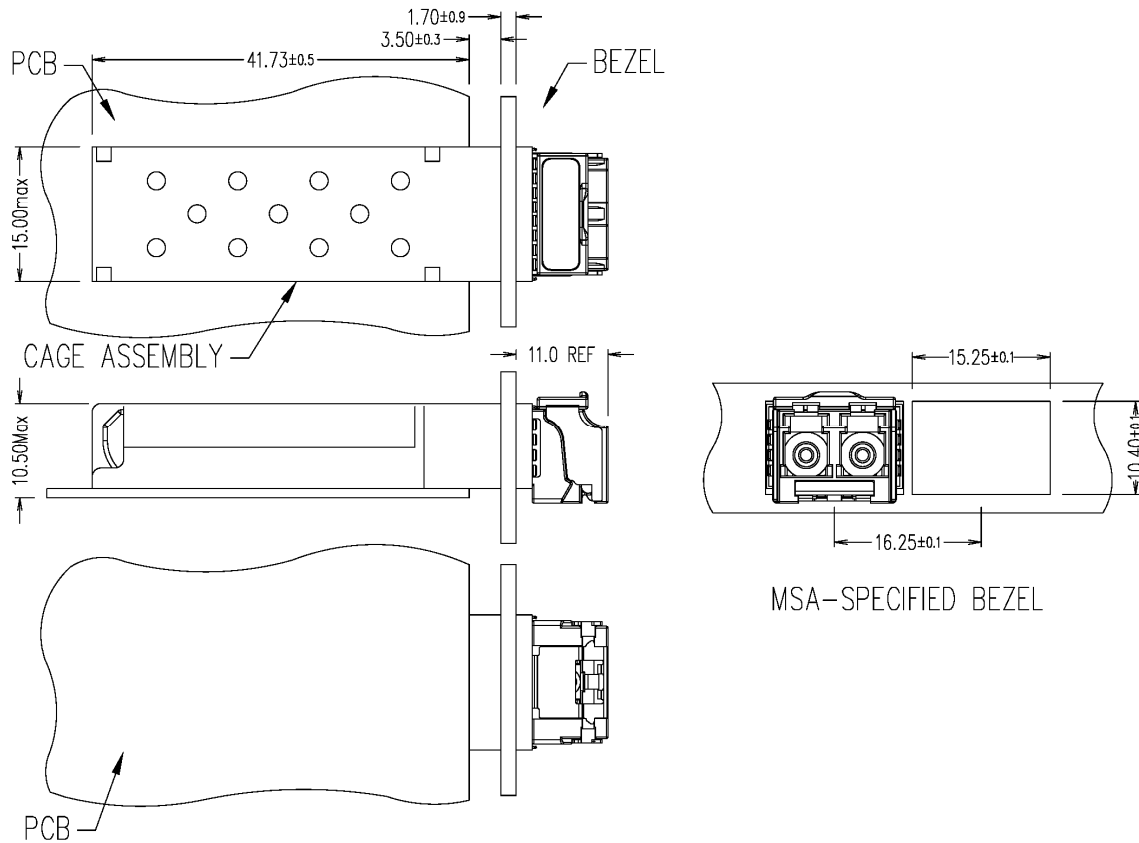
DETAIL 1

LEGEND

- 1.PADS AND VIAS ARE CHASSIS GROUND
- 2.THROUGH HOLES, PLATING OPTIONAL
- 3.HATCHED AREA DENOTES COMPONENT AND TRACE KEEPOUT(EXCEPT CHASSIS GROUND)
- 4.AREA DENOTES COMPONENT KEEPOUT (TRACES ALLOWED)

DIMENSIONS ARE IN MILLIMETERS

Assembly Drawing



Eye Safety

The transceiver is a class 1 laser product. It complies with EN 60825-1 and FDA 21 CFR 1040.10 and 1040.11. In order to meet laser safety requirements the transceiver shall be operated within the Absolute Maximum Ratings.

Caution

All adjustments have been done at the factory before the shipment of the devices. No maintenance and user serviceable part is required. Tampering with and modifying the performance of the device will result in voided product warranty.